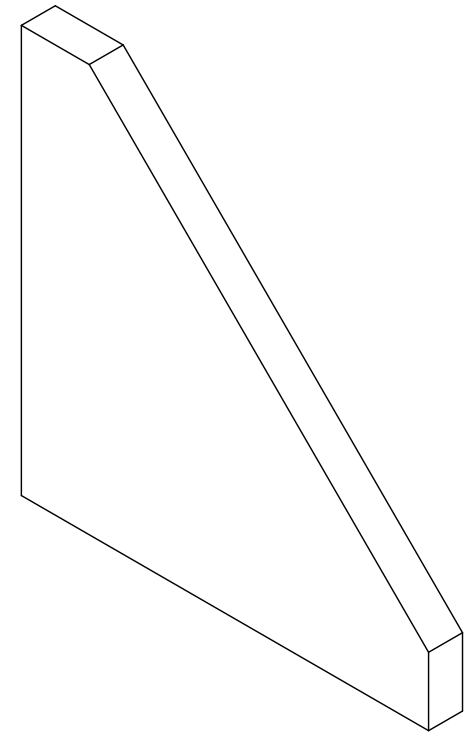
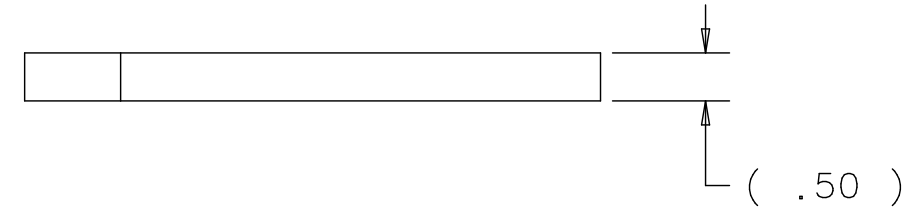
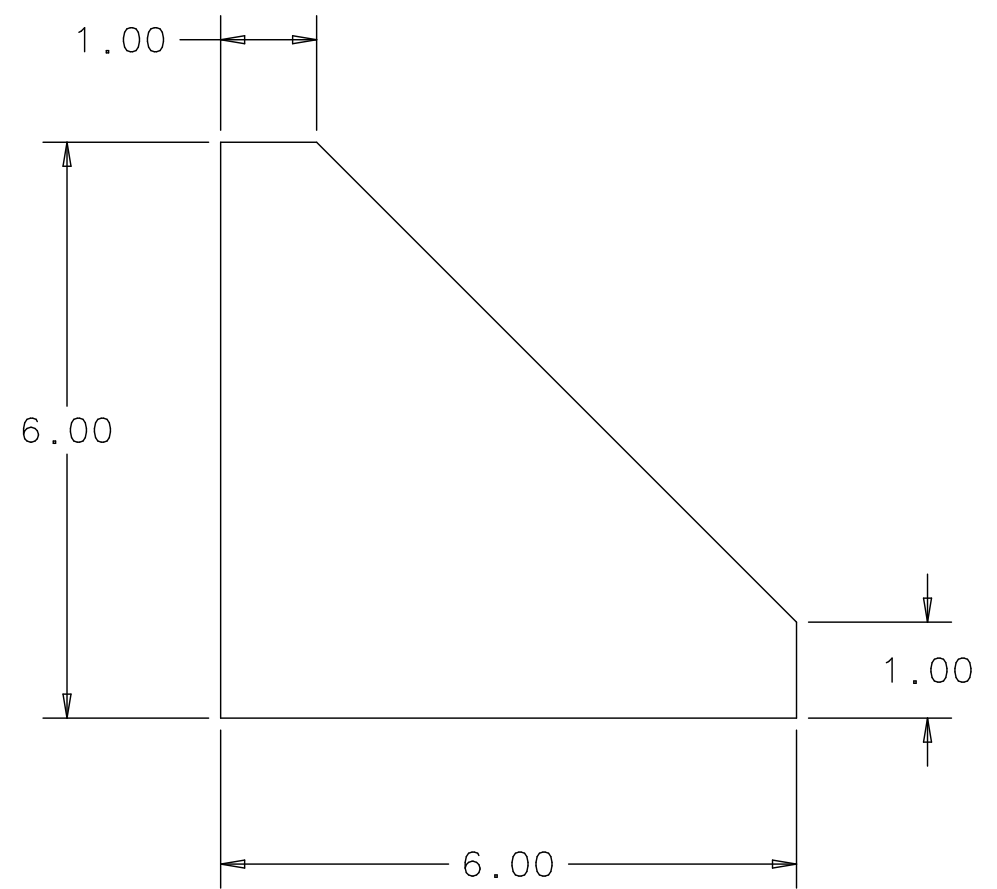


| REV | DESCRIPTION | DRAWN    | DATE |
|-----|-------------|----------|------|
|     |             | APPROVED | DATE |



ISOMETRIC VIEW



|   |       |        |            |                  |             |
|---|-------|--------|------------|------------------|-------------|
| UNLESS OTHERWISE SPECIFIED  |       |        | ORIGINATOR | E.VILLEGAS       | 04-SEP-2013 |
| .XX   | .XXX  | ANGLES | DRAWN      | G.SMITH          | 04-SEP-2013 |
| ± .03   | ± --- | ± ---  | CHECKED    | D.FRIEND         | 05-SEP-2013 |
| 1. BREAK ALL SHARP EDGES<br>.015 MAX.<br>2. DO NOT SCALE DRAWING.<br>3. DIMENSIONS BASED UPON<br>ASME Y14.5M-1994<br>4. MAX. ALL MACH. SURFACES<br>125 /<br>5. DRAWING UNITS: U.S. INCH |       |        | APPROVED   | E.VILLEGAS       | 06-SEP-2013 |
|   |       |        | USED ON    |                  |             |
|   |       |        | MATERIAL   | 6061-T6 ALUMINUM |             |



FERMI NATIONAL ACCELERATOR LABORATORY  
UNITED STATES DEPARTMENT OF ENERGY

NOVA-NEAR\_DETECTOR  
BLOCK BUMPER  
BRACKET PLATE

|                                |                    |                                  |     |
|--------------------------------|--------------------|----------------------------------|-----|
| SCALE                          | DRAWING NUMBER     | SHEET                            | REV |
| 1:2                            | 3929.330-MB-493970 | 1 OF 1                           |     |
| CREATED WITH : Ideas12NXSeries |                    | GROUP: PPD/MECHANICAL DEPARTMENT |     |

NOTICE: IMAGE OBTAINED FROM FERMILAB  
Computer Aided Design Group.  
This image is an uncontrolled document and may not be  
the current, approved version.  
This information is provided for REFERENCE use only.  
Not for MANUFACTURE, or DESIGN INFORMATION.  
All information contained in this document represents  
work sponsored by an agency of the U.S. Government.  
Neither the U.S. Government nor any agency thereof,  
nor Universities Research Association, Inc., nor any of  
their employees or officers, makes any warranty, express  
or implied, or assumes any legal liability or  
responsibility for the accuracy, completeness, or  
usefulness of any information, apparatus, product or  
process disclosed, or represents that its use would not  
infringe privately owned rights.