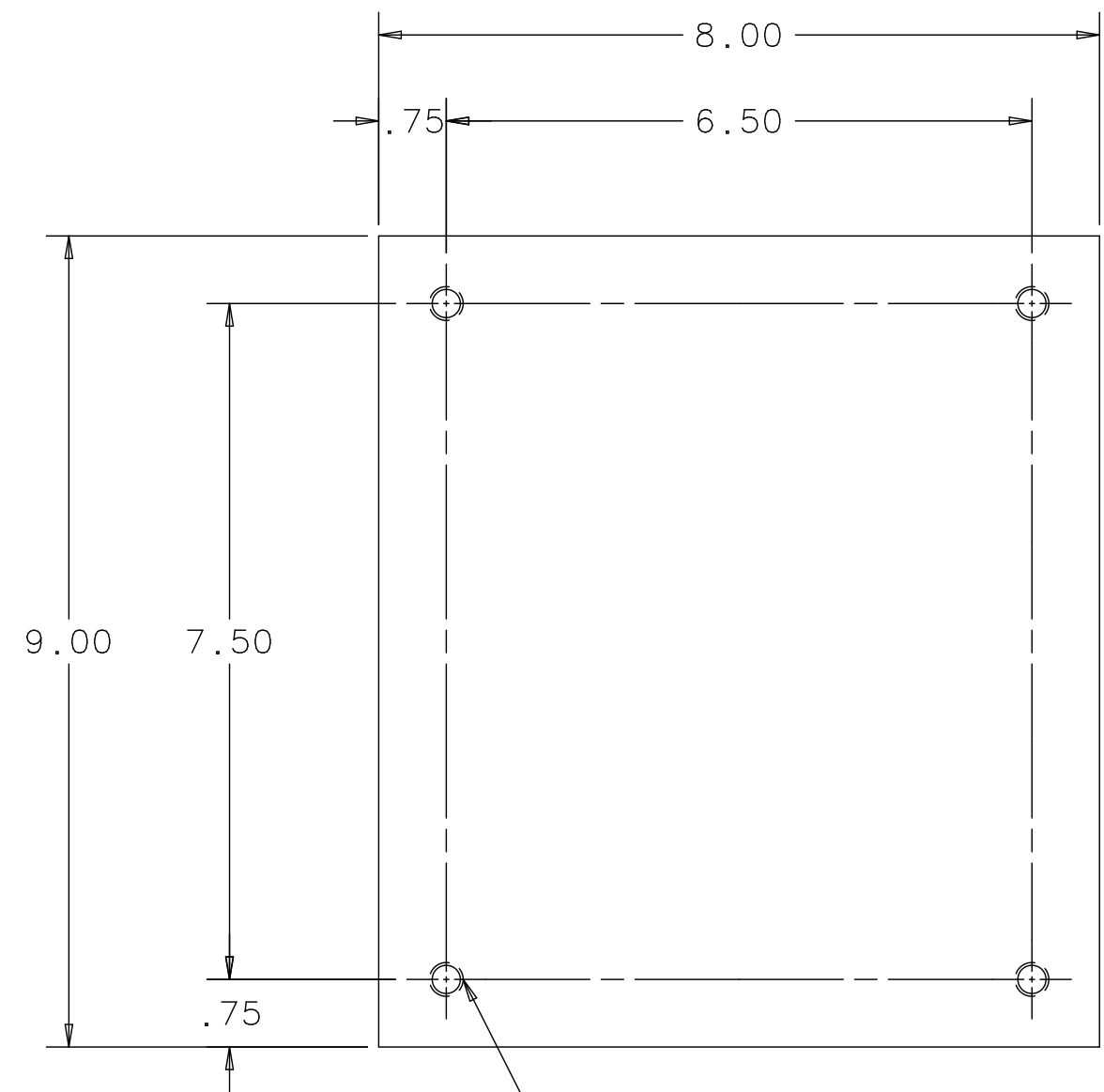
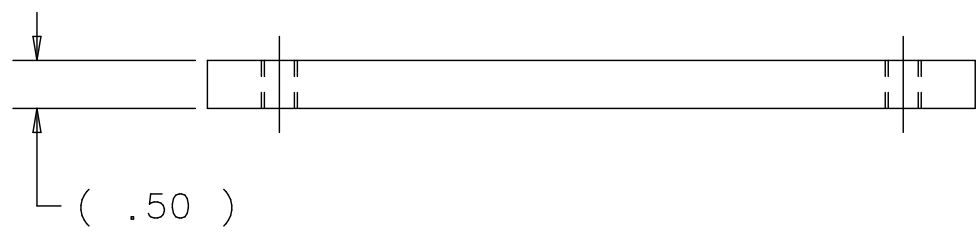
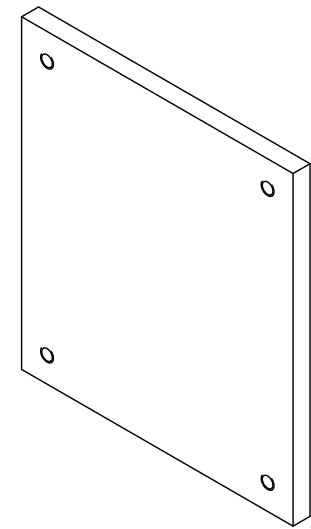


REV	DESCRIPTION	DRAWN	DATE
		APPROVED	DATE



4X 3/8-16 UNC-2B



ISOMETRIC VIEW

UNLESS OTHERWISE SPECIFIED			ORIGINATOR	E.VILLEGAS	04-SEP-2013
.XX	.XXX	ANGLES	DRAWN	G.SMITH	04-SEP-2013
± .03	± ---	± ---	CHECKED	D.FRIEND	05-SEP-2013
1. BREAK ALL SHARP EDGES .015 MAX. 2. DO NOT SCALE DRAWING. 3. DIMENSIONS BASED UPON ASME Y14.5M-1994 4. MAX. ALL MACH. SURFACES 125 / 5. DRAWING UNITS: U.S. INCH			APPROVED	E.VILLEGAS	06-SEP-2013
			USED ON		
			MATERIAL	6061-T6 ALUMINUM	



FERMI NATIONAL ACCELERATOR LABORATORY  
UNITED STATES DEPARTMENT OF ENERGY

NOVA-NEAR\_DETECTOR  
BLOCK BUMPER  
TAPPED PLATE

NOTICE: IMAGE OBTAINED FROM FERMILAB  
Computer Aided Design Group.  
This image is an uncontrolled document and may not be the current, approved version.  
This information is provided for REFERENCE use only. Not for MANUFACTURE, or DESIGN INFORMATION. All information contained in this document represents work sponsored by an agency of the U.S. Government. Neither the U.S. Government nor any agency thereof, nor Universities Research Association, Inc., nor any of their employees or officers, makes any warranty, express or implied, or assumes any legal liability or responsibility for the accuracy, completeness, or usefulness of any information, apparatus, product or process disclosed, or represents that its use would not infringe privately owned rights.

SCALE	DRAWING NUMBER	SHEET	REV
1:2 & AS NOTED	3929.330-MB-493969	1 OF 1	
CREATED WITH : Ideas12NXSeries		GROUP: PPD/MECHANICAL DEPARTMENT	