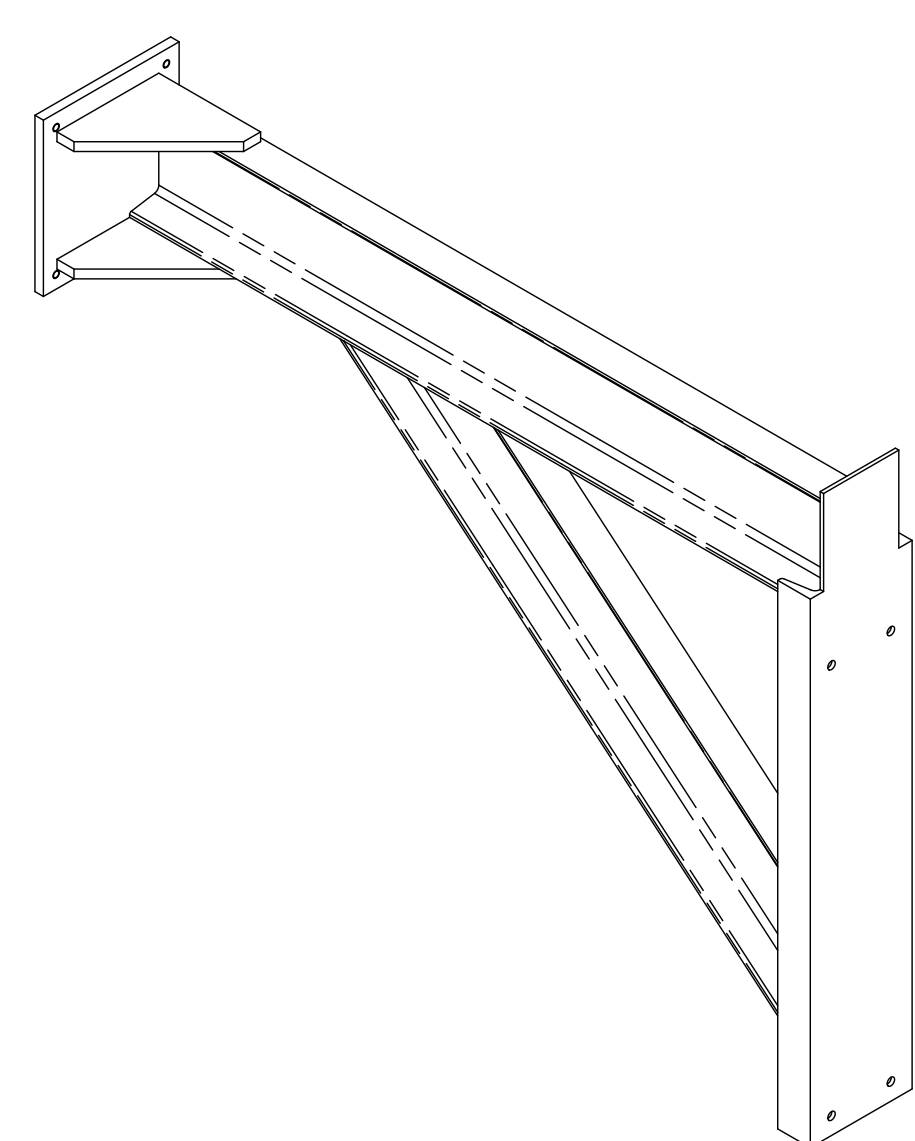
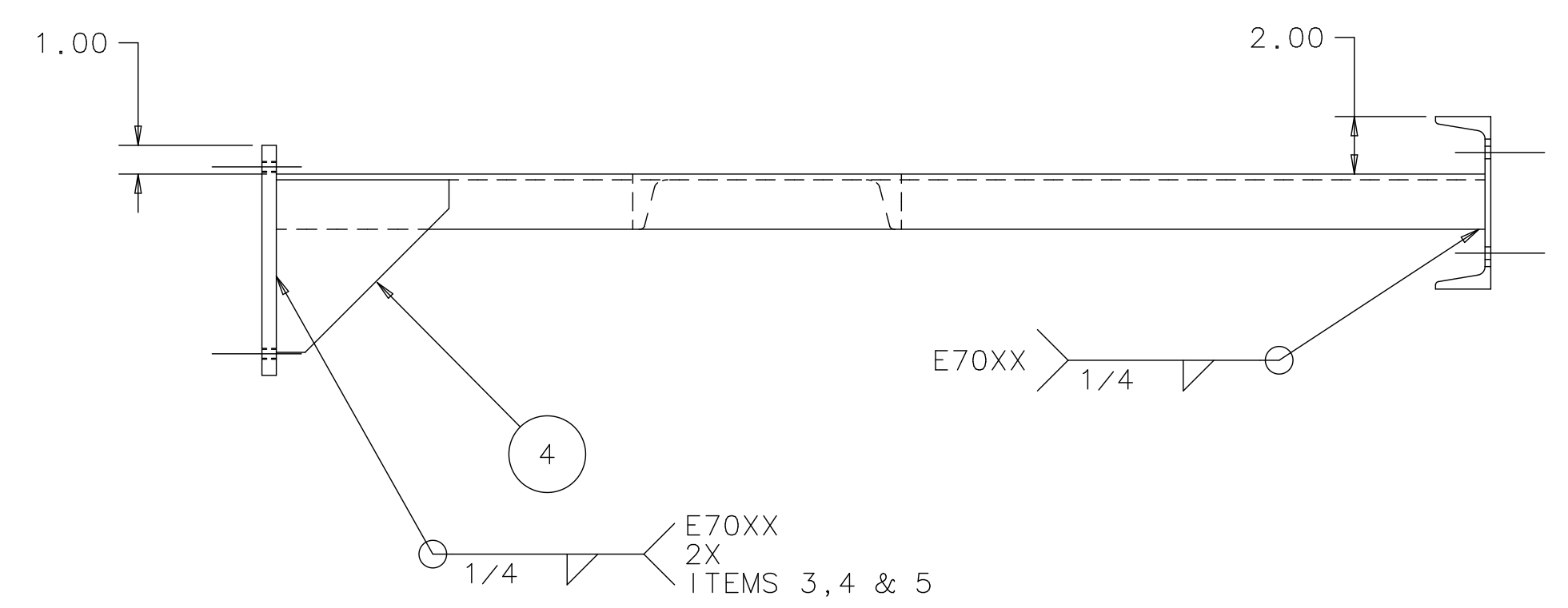
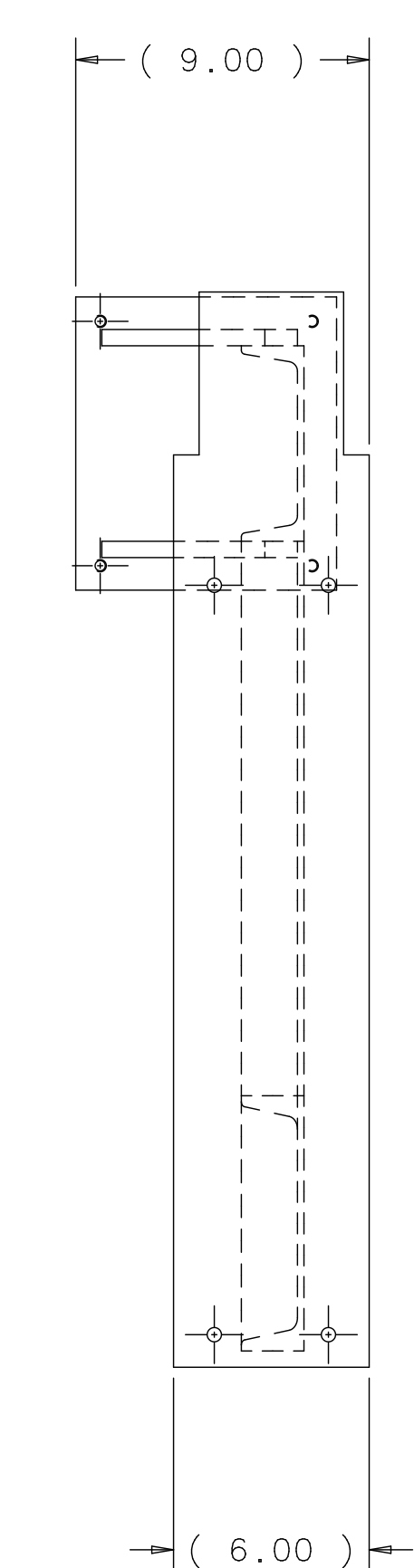
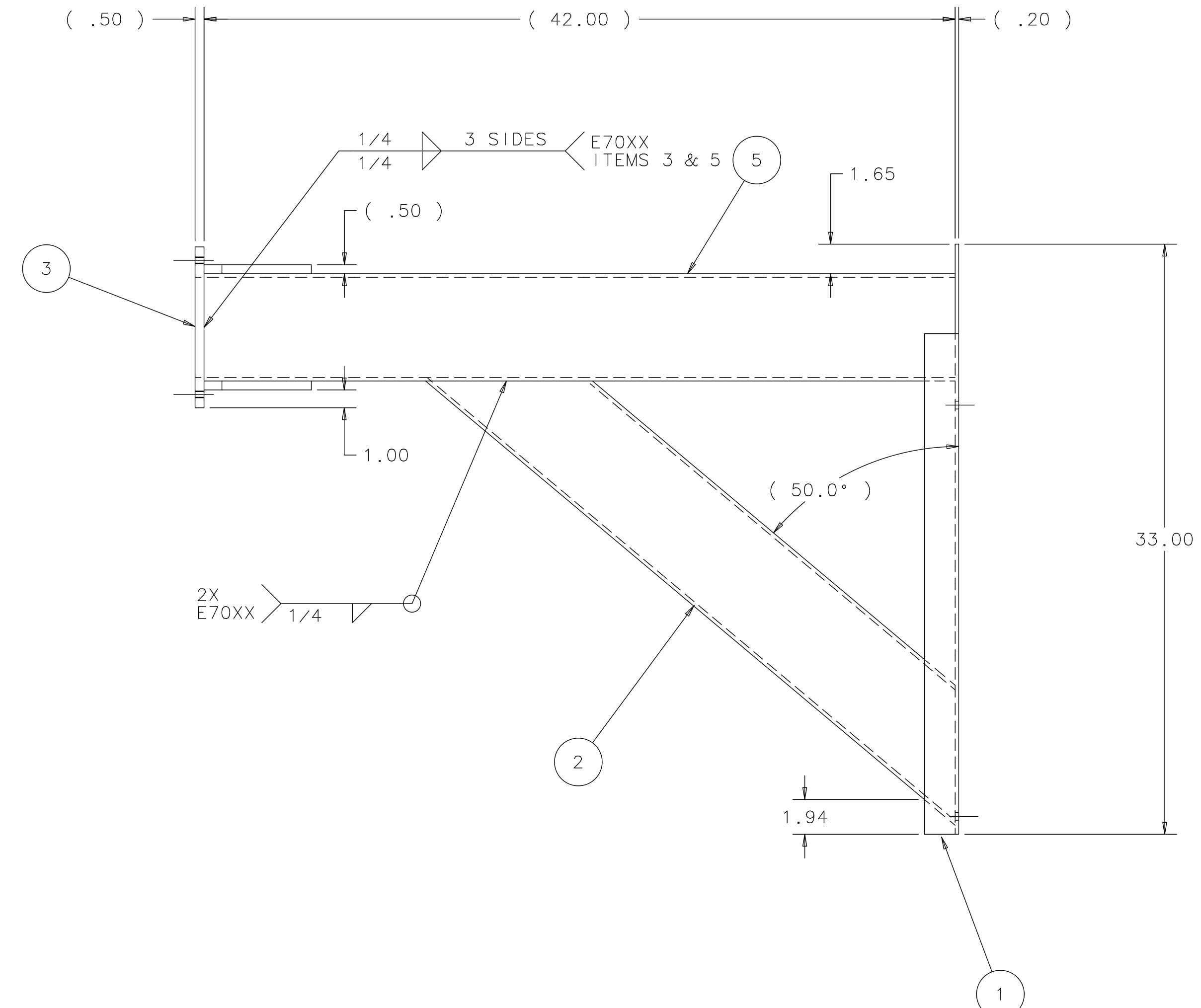
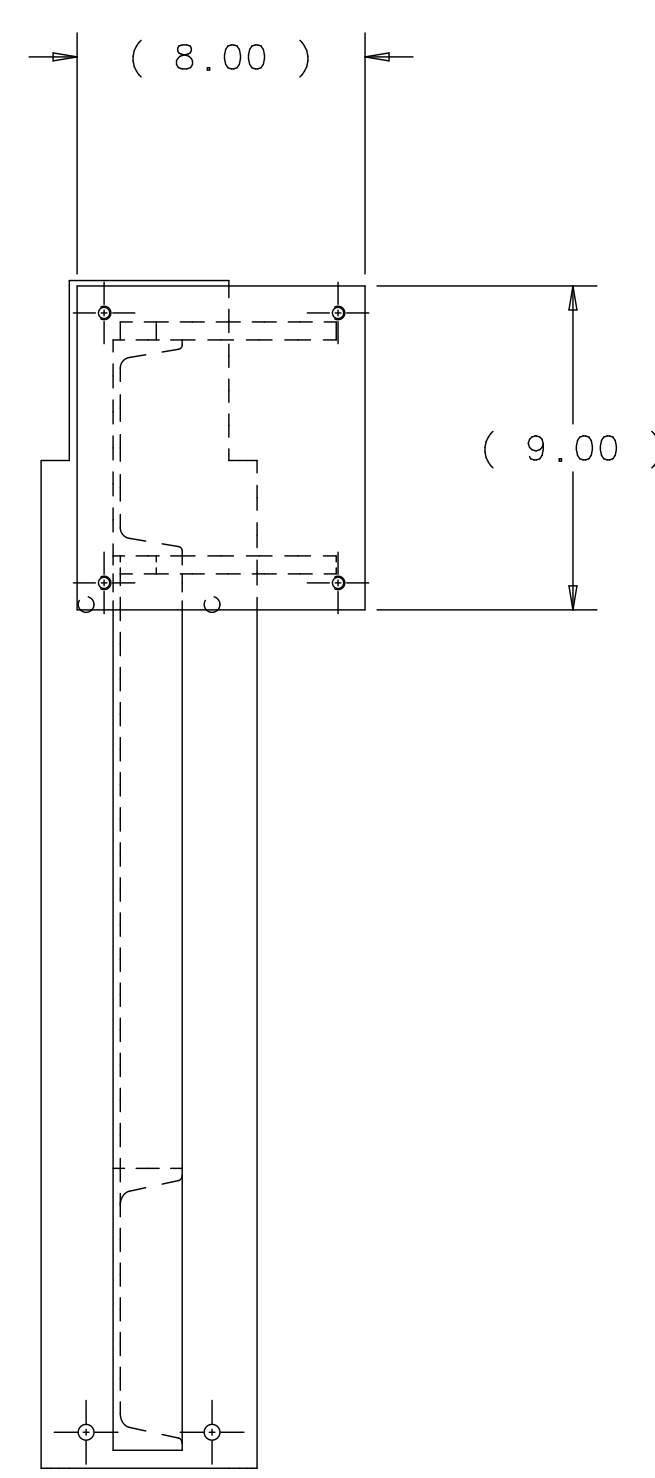


REV	DESCRIPTION	1	2
		DATE	DATE



ISOMETRIC VIEW  
SCALE : 1/8



ITEM	PART NO.	DESCRIPTION OR SIZE	QTY.
5	COML	ALUM. CHANNEL 6 X .283 LBS/FT X 42.00 LG	1
4	MB-493970	BRACKET PLATE	2
3	MB-493969	TAPPED PLATE	1
2	MC-493968	KICKER CHANNEL - 50°	1
1	MC-493967	VERTICAL CHANNEL	1

PARTS LIST			
UNLESS OTHERWISE SPECIFIED	ORIGINATOR	E.VILLEGAS	04-SEP-2013
.XX .XXX ANGLES	DRAWN	G.SMITH	04-SEP-2013
± .06 ± --- ± 1°	CHECKED	D.FRIEND	06-SEP-2013
	APPROVED	E.VILLEGAS	06-SEP-2013
1. BREAK ALL SHARP EDGES .015 MAX.	USED ON		
2. DO NOT SCALE DRAWING.	MATERIAL	SEE PARTS LIST ABOVE	
3. DIMENSIONS BASED UPON ASME Y14.5M-1994			
4. MAX. ALL MACH. SURFACES 125			
5. DRAWING UNITS: U.S. INCH			

NOTICE: IMAGE OBTAINED FROM FERMILAB Computer Aided Design Group.  
This image is an uncontrolled document and may not be the current, approved version.  
This information is provided for REFERENCE use only. Not for MANUFACTURE or DESIGN INFORMATION.  
All information contained in this document represents work sponsored by an agency of the U.S. Government. Neither the U.S. Government nor any agency thereof, nor Universities Research Association, Inc., nor any of their employees or officers, makes any warranty, express or implied, or assumes any legal liability or responsibility for the accuracy, completeness, or usefulness of any information, apparatus, product or process disclosed, or represents that its use would not infringe privately owned rights.

**FERMI NATIONAL ACCELERATOR LABORATORY**  
UNITED STATES DEPARTMENT OF ENERGY

**NOVA-NEAR\_DETECTOR**  
**BLOCK BUMPER**  
**WELDMENT #1**

SCALE 3:16 & AS NOTED	DRAWING NUMBER <b>3929.330-MD-493965</b>	SHEET 1 OF 1	REV
CREATED WITH : Ideas12NXSeries		GROUP: PPD/MECHANICAL DEPARTMENT	