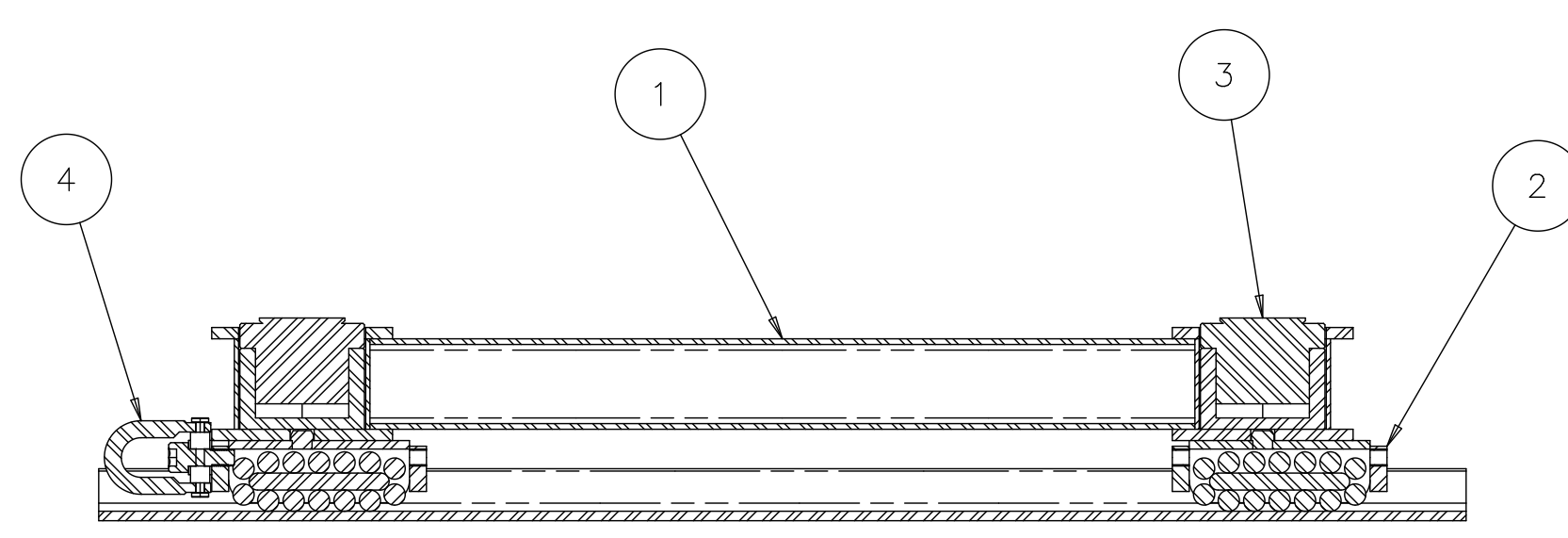
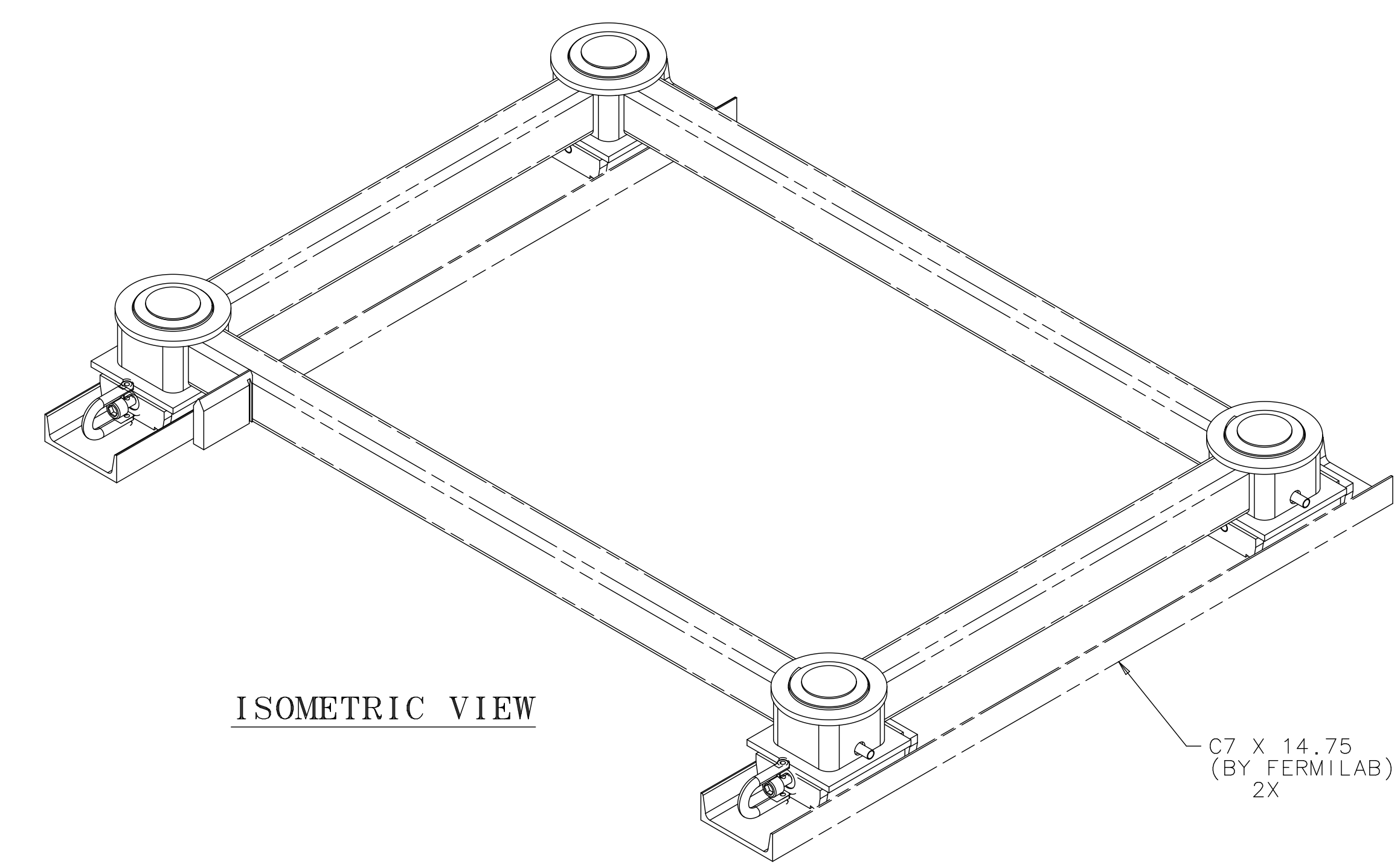
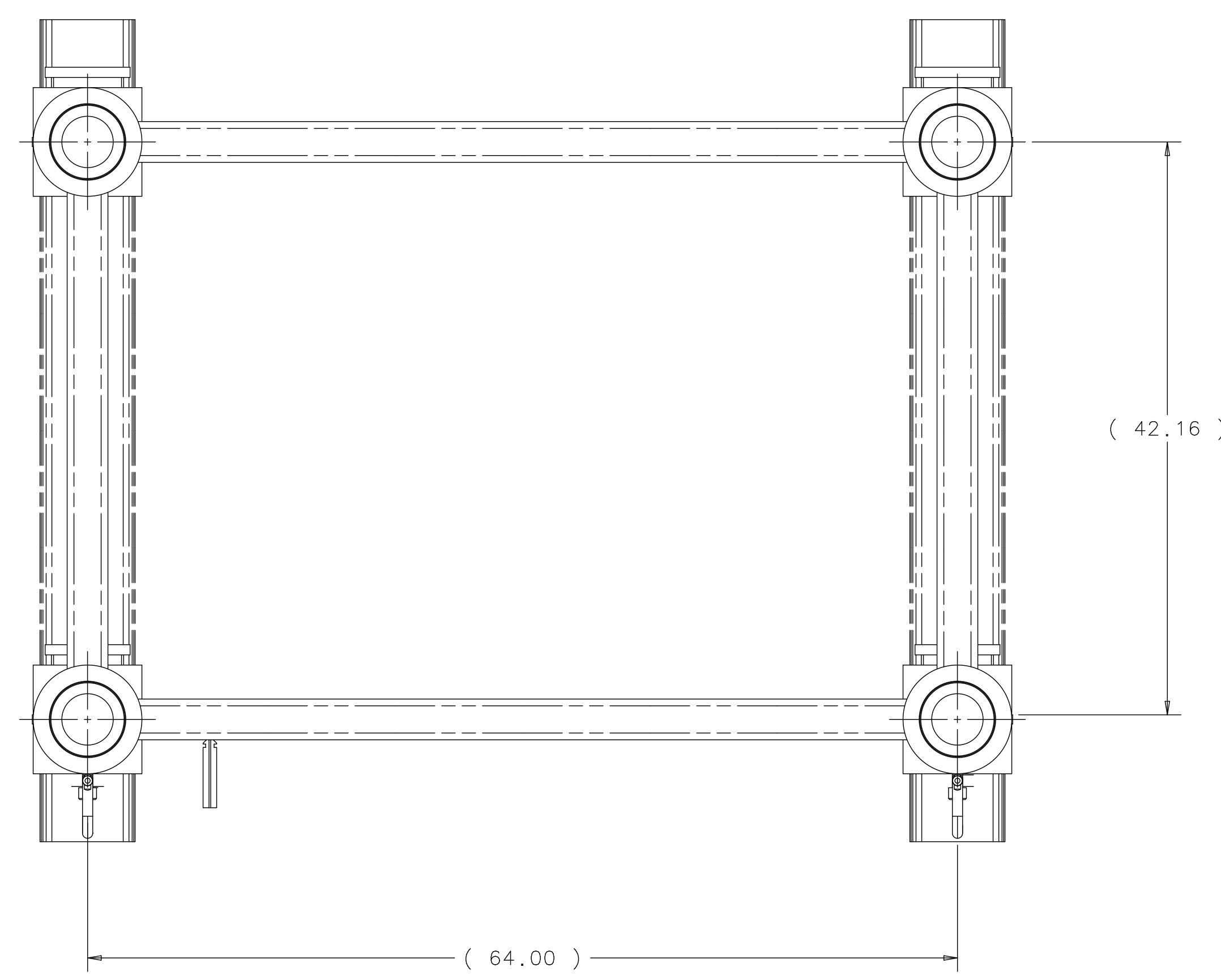
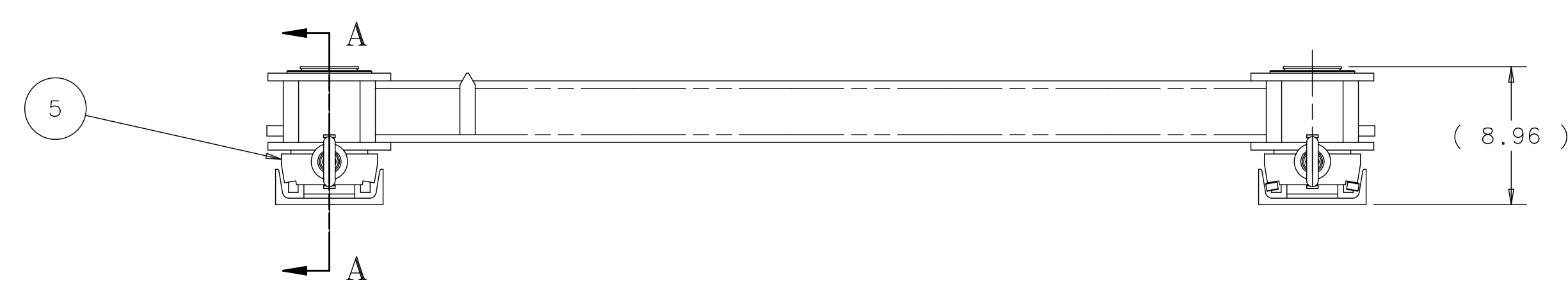


REV	DESCRIPTION	DRAWN	DATE
		APPROVED	DATE



WEIGHT = 724 LBS



ITEM	PART NO.	DESCRIPTION OR SIZE	QTY.
5	MD-489970	HILLMAN ROLLER ASSY-8 TON (NO CAM FOLLOWERS)	2
4	#3052T62	MACHINED STEEL HOIST RING 3/4-10 X 1" THR'D LENTH 5,000 LBS.	2
3	COML	ENERPAC PANCAKE CYLINDER 2" STROKE, CLP-602	4
2	MD-489970	HILLMAN ROLLER ASSY-8 TON	2
1	ME-489941	TRANSPORTING LOWER FRAME WELDMENT	1

PARTS LIST			
UNLESS OTHERWISE SPECIFIED	ORIGINATOR	E.VILLEGAS	18-FEB-2013
.XX	.XXX	ANGLES	DRAWN
G.SMITH			18-FEB-2013
± ---	± ---	± ---	CHECKED
D.FRIEND			20-MAR-2013
	APPROVED	E.VILLEGAS	21-MAR-2013
USED ON		ME-493458	
MATERIAL		SEE PARTS LIST ABOVE	

NOTICE: IMAGE OBTAINED FROM FERMILAB Computer Aided Design Group. This image is an uncontrolled document and may not be the current, approved version. This information is provided for REFERENCE use only. Not for MANUFACTURE or DESIGN INFORMATION. All information contained in this document represents work sponsored by an agency of the U.S. Government. Neither the U.S. Government nor any agency thereof, nor Universities Research Association, Inc., nor any of their employees or officers, makes any warranty, express or implied, or assumes any legal liability or responsibility for the accuracy, completeness, or usefulness of any information, apparatus, product or process disclosed, or represents that its use would not infringe privately owned rights.

**FERMI NATIONAL ACCELERATOR LABORATORY**  
**UNITED STATES DEPARTMENT OF ENERGY**

**NOVA-NEAR\_DETECTOR**  
**MUON CATCHER**  
**TRANSPORTING LOWER FRAME ASSY**

SCALE	DRAWING NUMBER	SHEET	REV
1:8	3929.330-MD-493466	1 OF 1	

CREATED WITH : Ideas12NXSeries GROUP: PPD/MECHANICAL DEPARTMENT