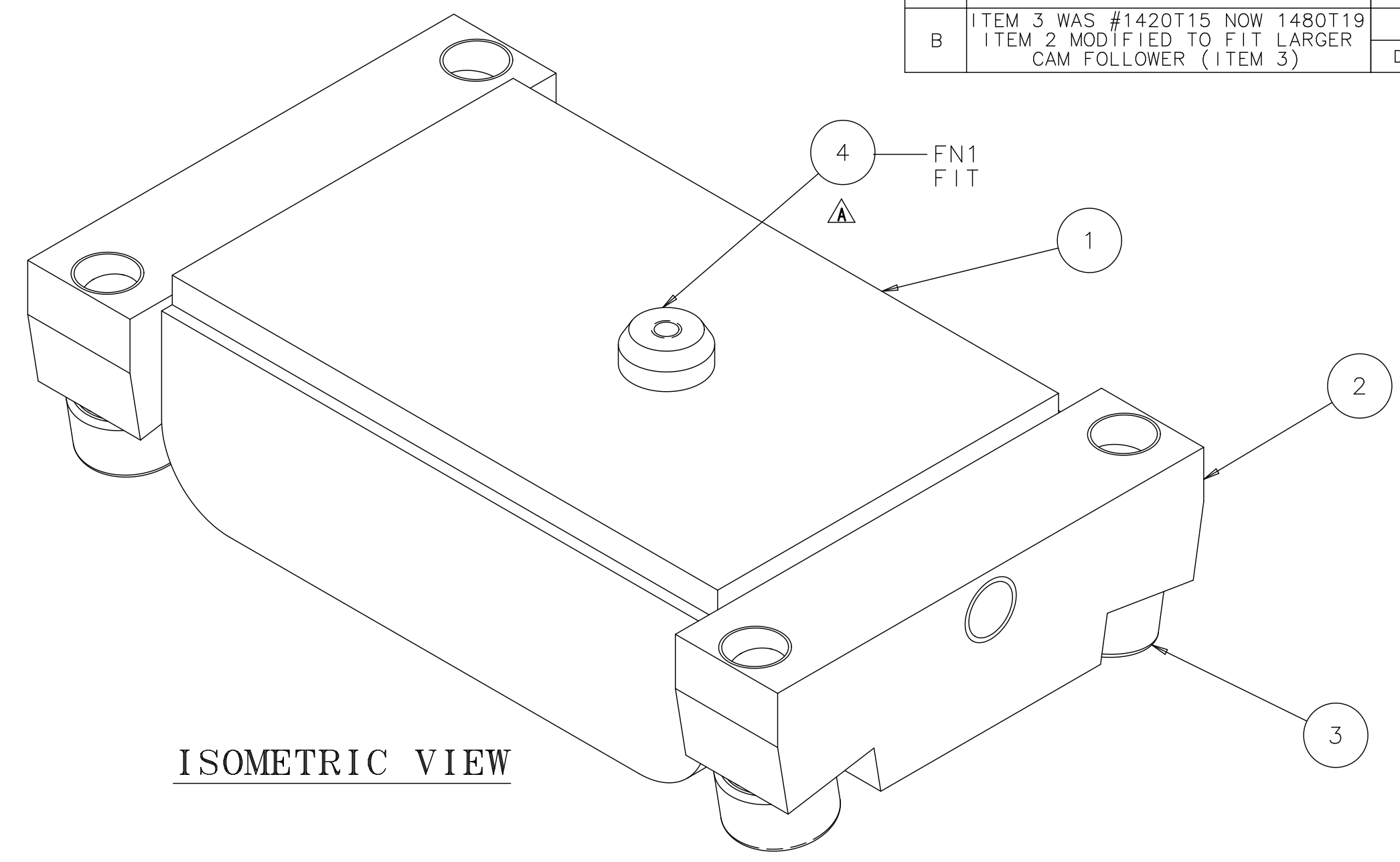
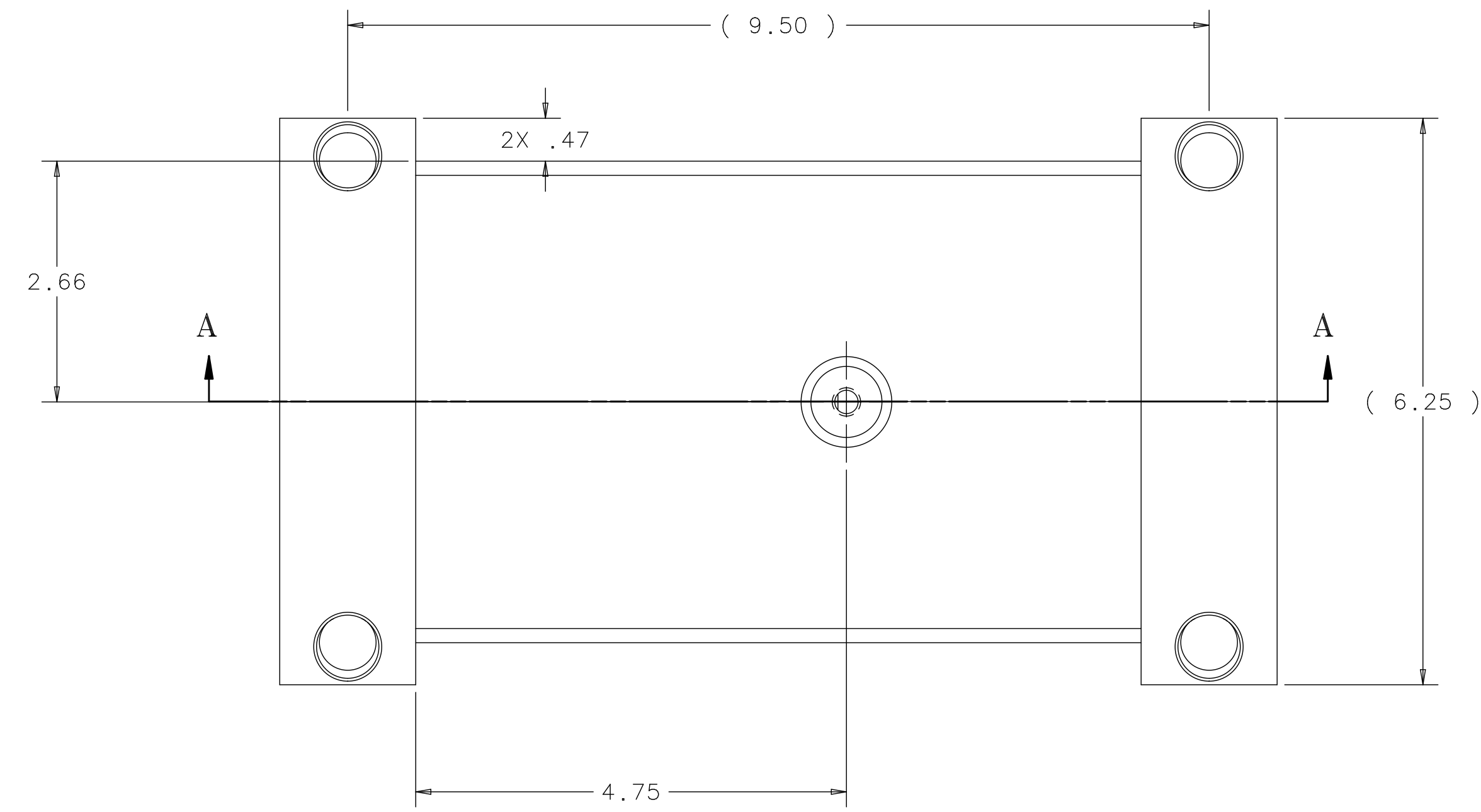
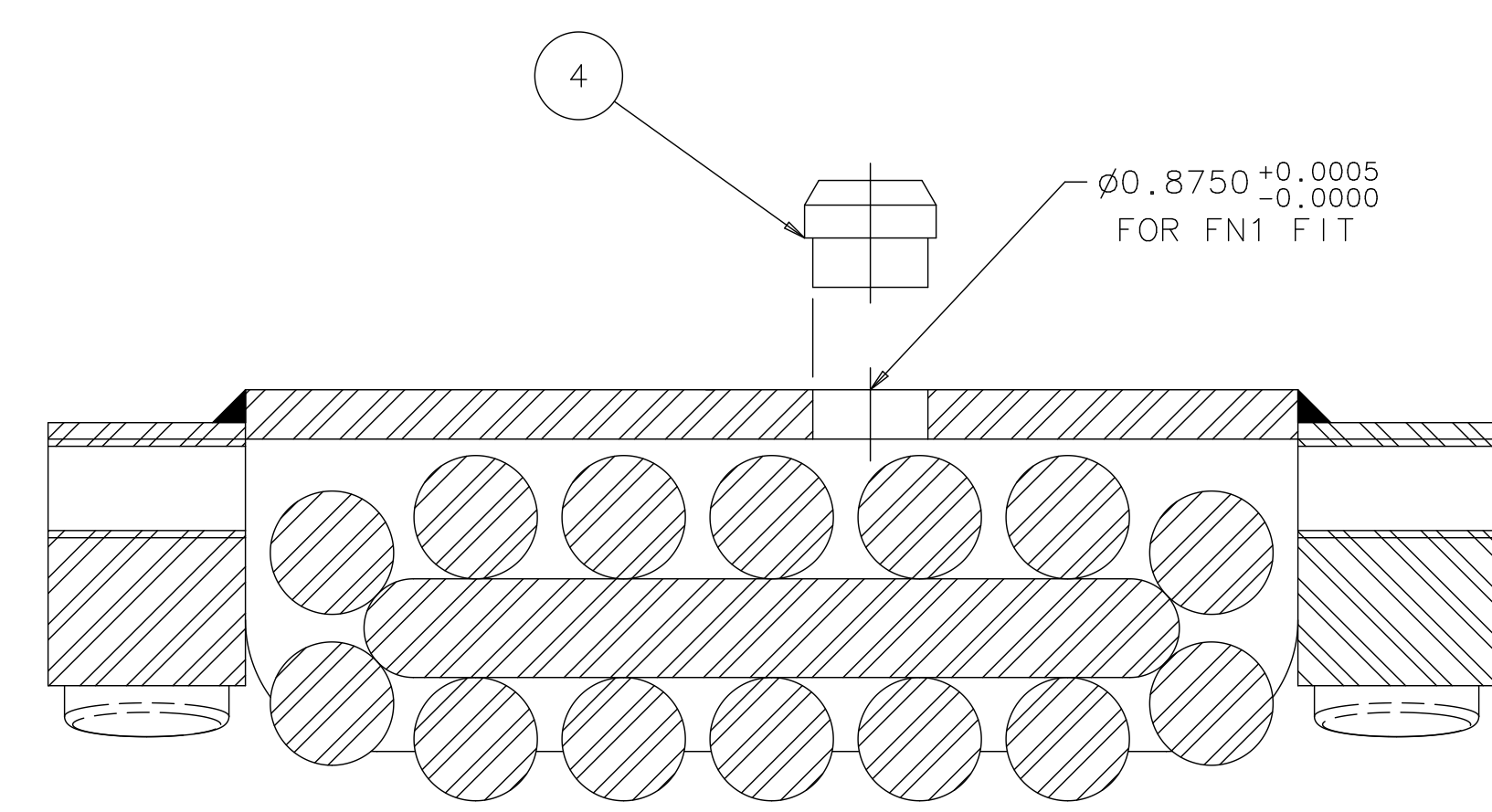
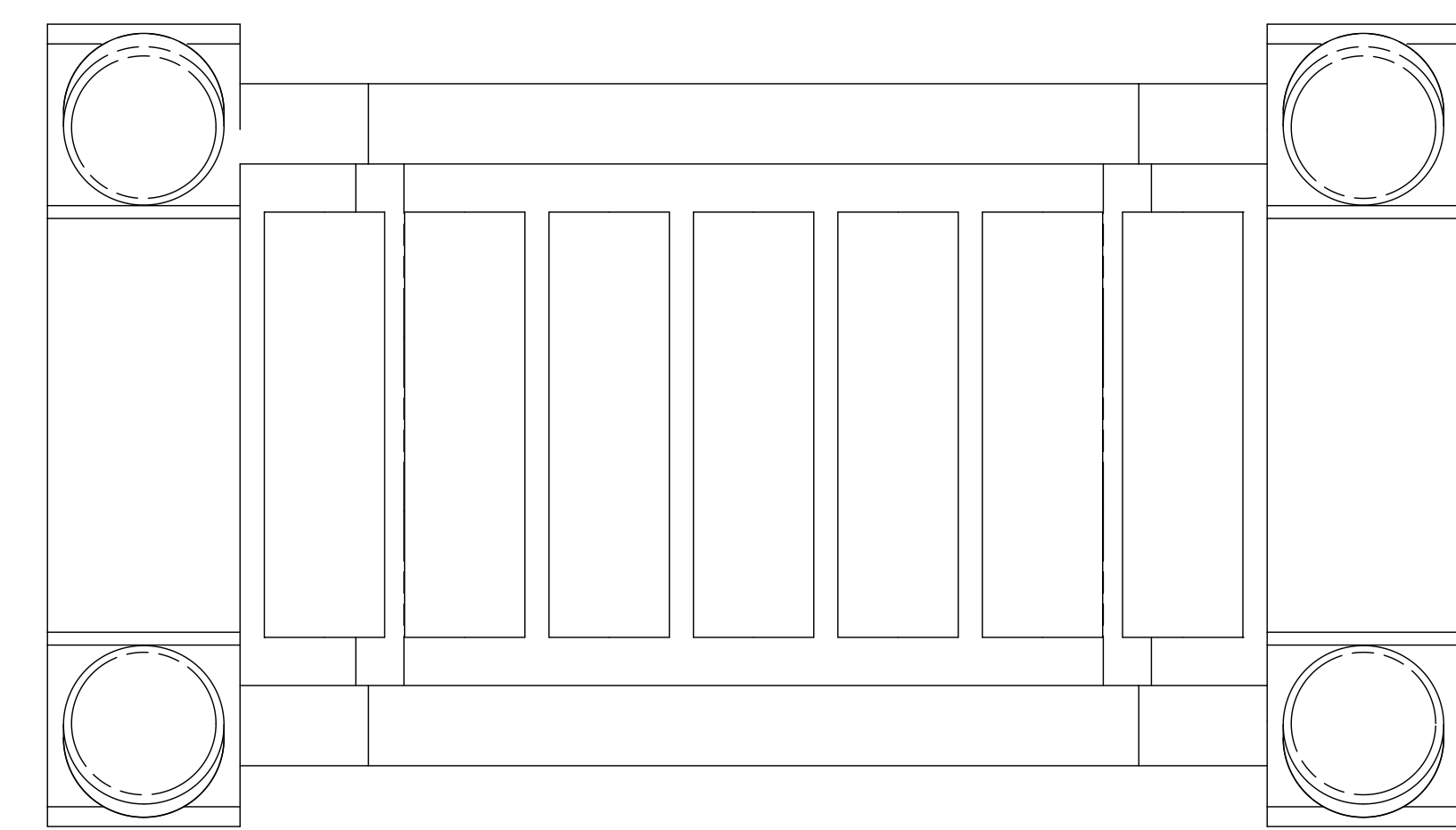
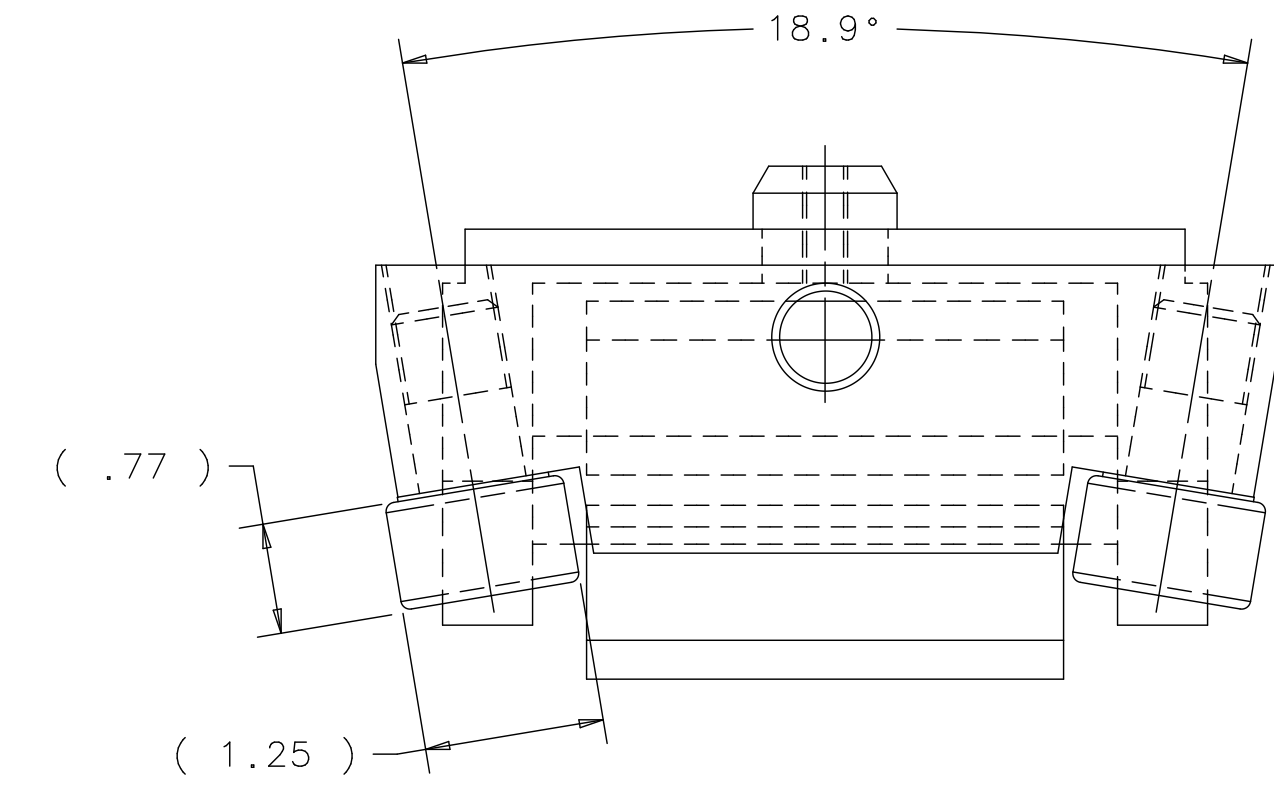
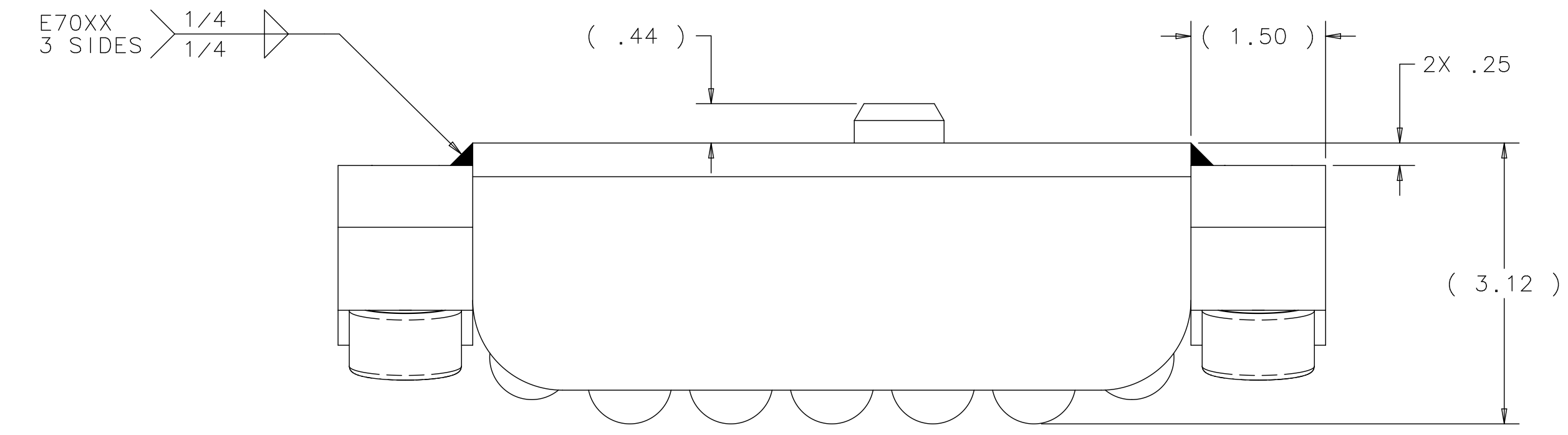


REV	DESCRIPTION	DRAWN	DATE
		APPROVED	DATE
A	5-16-18 TAPPED HOLE ADDED TO ITEM 4	G SMITH	15-JUL-2013
		D FRIEND/E VILLEGAS	15-JUL-2013
B	ITEM 3 WAS #1420T15 NOW 1480T19 ITEM 2 MODIFIED TO FIT LARGER CAM FOLLOWER (ITEM 3)	G SMITH	19-JUL-2013
		D FRIEND/E VILLEGAS	19-JUL-2013



ISOMETRIC VIEW



SECTION A-A

ITEM	PART NO.	DESCRIPTION OR SIZE	QTY.
4	MB-489972	HILMAN LOCATER PIN	1
3	McMASTER CARR 1480T19	CROWNED SEAL CAM FOLLOWER $\phi 1.25 \times 3/4-16$ THREAD	4
2	MB-489971	CAM FOLLOWER HOLDER	2
1		HILMAN ROLLER-8T (8 TON)	1

PARTS LIST				
UNLESS OTHERWISE SPECIFIED	ORIGINATOR	E.VILLEGAS 18-SEP-2012		
.XX .XXX ANGLES	DRAWN	G.SMITH 18-SEP-2012		
$\pm .06 \pm ---$	CHECKED	D.FRIEND 24-OCT-2012		
	APPROVED	E.VILLEGAS 25-OCT-2012		
USED ON				
MATERIAL SEE PARTS LIST ABOVE				

FERMI NATIONAL ACCELERATOR LABORATORY
UNITED STATES DEPARTMENT OF ENERGY

NOVA-NEAR_DETECTOR
MUON CATCHER
HILLMAN ROLLER ASSY 8T

SCALE	DRAWING NUMBER	SHEET	REV
3:4	3929.330-MD-489970	1 OF 1	B

CREATED WITH : Ideas12NXSeries GROUP: PPD/MECHANICAL DEPARTMENT

NOTICE: IMAGE OBTAINED FROM FERMILAB Computer Aided Design Group. This image is an uncontrolled document and may not be the current, approved version.

This information is provided for REFERENCE use only. Not for MANUFACTURE or DESIGN INFORMATION. All information contained in this document represents work sponsored by an agency of the U.S. Government. Neither the U.S. Government nor any agency thereof, nor Universities Research Association, Inc., nor any of their employees or officers, makes any warranty, express or implied, or assumes any legal liability or responsibility for the accuracy, completeness, or usefulness of any information, apparatus, product or process disclosed, or represents that its use would not infringe privately owned rights.