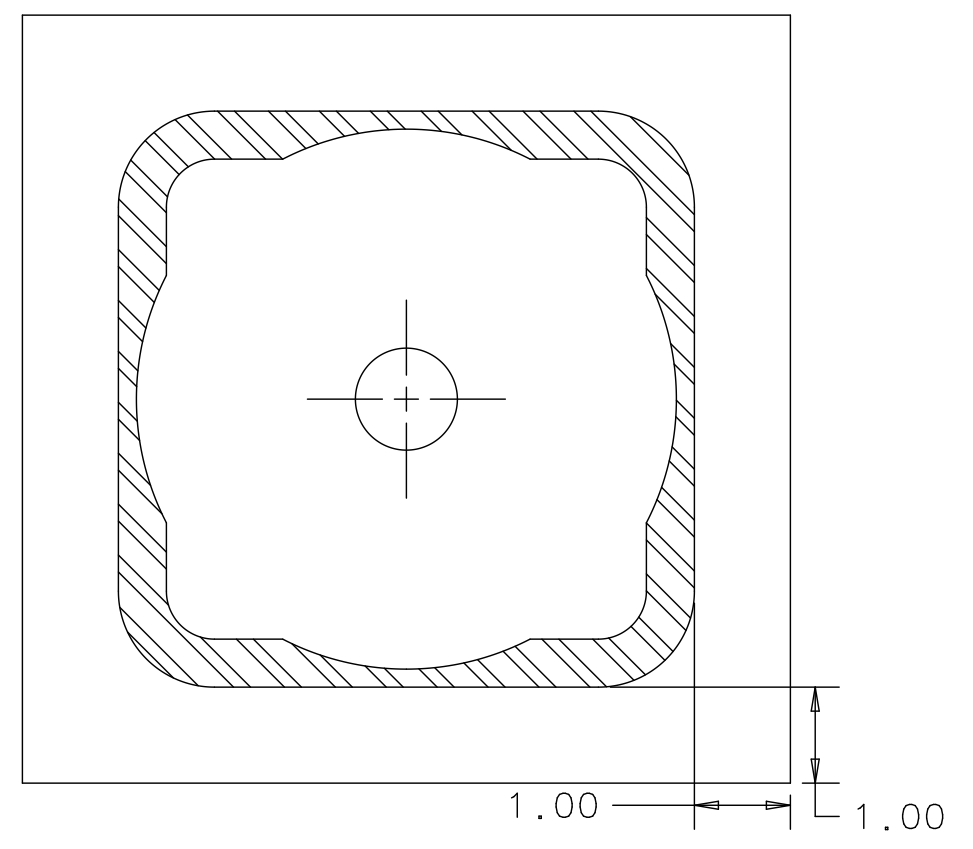
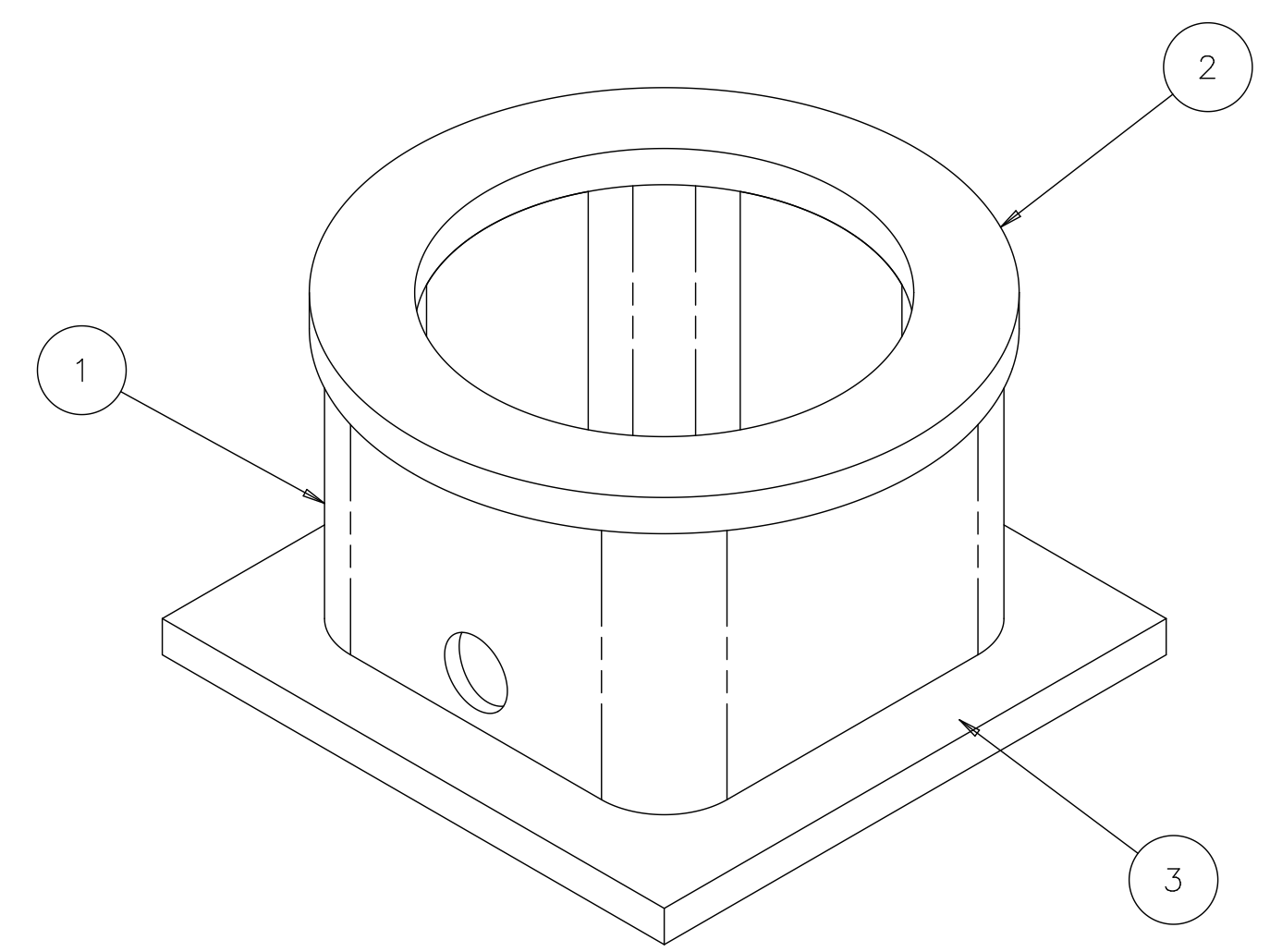


REV	DESCRIPTION	DRAWN	DATE
		APPROVED	DATE

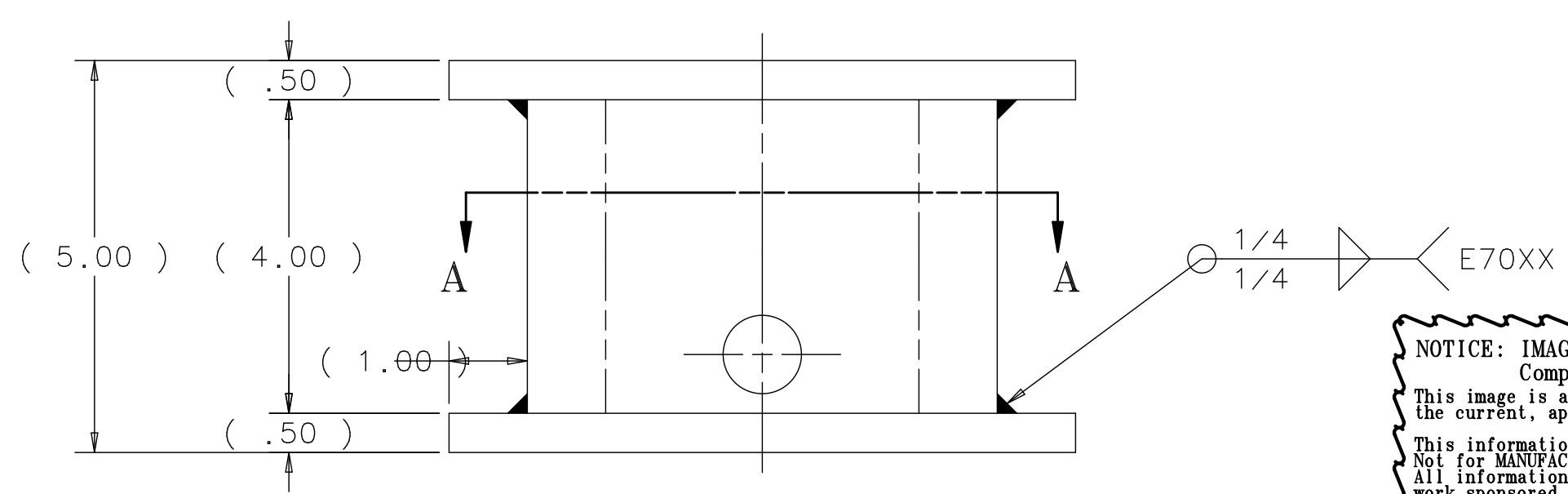
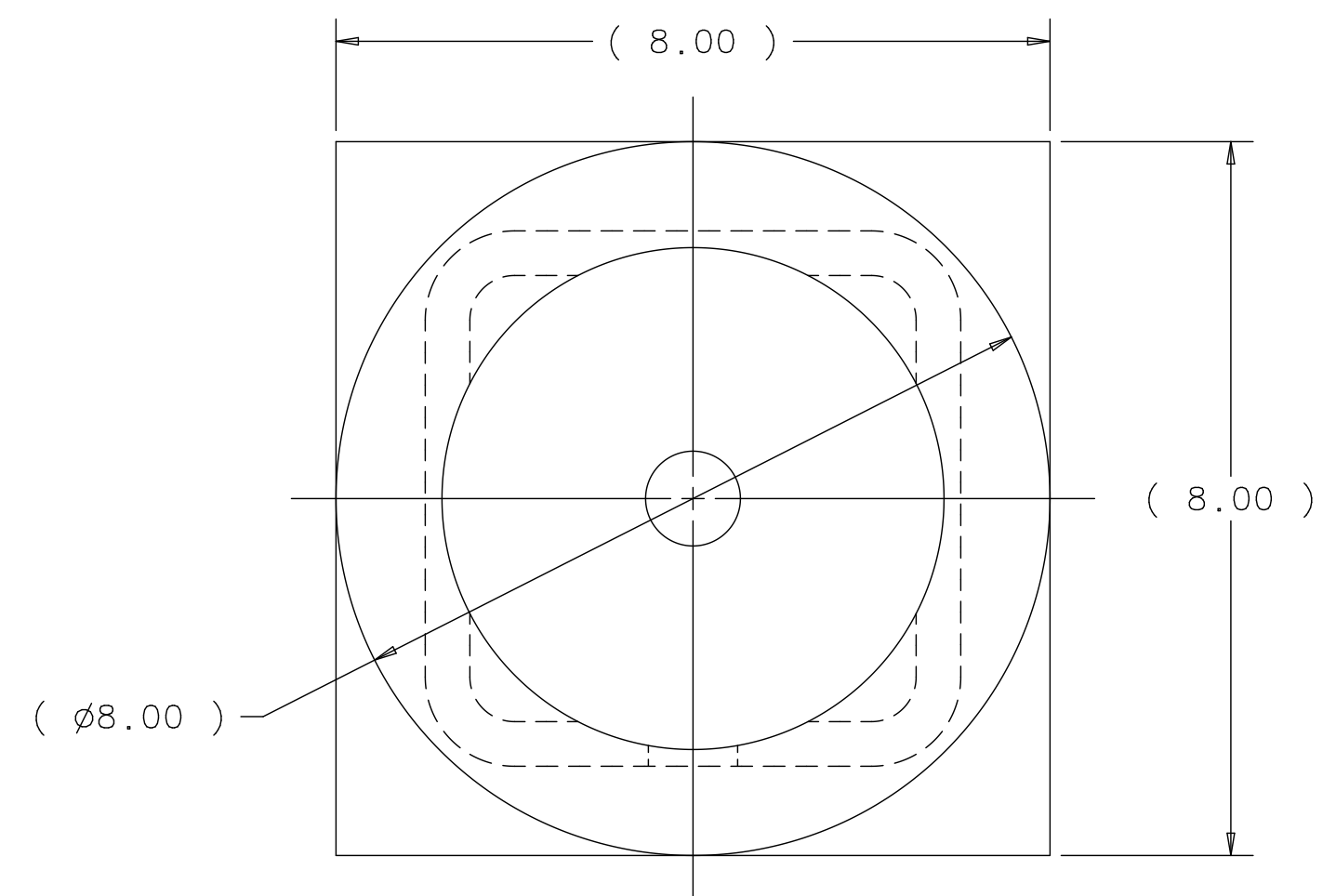


SECTION A-A



ISOMETRIC VIEW

WEIGHT = 18.7 LBS



3	MB-489938	BOTTOM PLATE	1
2	MB-489937	TOP PLATE	1
1	MB-489939	TUBE	1
ITEM	PART NO.	DESCRIPTION OR SIZE	QTY.

PARTS LIST			
UNLESS OTHERWISE SPECIFIED		ORIGINATOR	E.VILLEGAS
.XX	.XXX	ANGLES	10-SEP-2012
± .03	± ---	± ---	10-SEP-2012
DRAWN		CHECKED	D.FRIEND
APPROVED		APPROVED	E.VILLEGAS
1. BREAK ALL SHARP EDGES .015 MAX.		24-OCT-2012	
2. DO NOT SCALE DRAWING.		USED ON	
3. DIMENSIONS BASED UPON ASME Y14.5M-1994		ME-489941	
4. MAX. ALL MACH. SURFACES		MATERIAL	
5. DRAWING UNITS: U.S. INCH		SEE PARTS LIST ABOVE	

FERMI NATIONAL ACCELERATOR LABORATORY
UNITED STATES DEPARTMENT OF ENERGY

NOVA-NEAR_DETECTOR
MUON CATCHER
PANCAKE CYLINDERS CRADLE

SCALE	DRAWING NUMBER	SHEET	REV
1:2	3929.330-MC-489942	1 OF 1	
CREATED WITH : Ideas12NXSeries		GROUP: PPD/MECHANICAL DEPARTMENT	

NOTICE: IMAGE OBTAINED FROM FERMILAB Computer Aided Design Group.
This image is an uncontrolled document and may not be the current, approved version.
This information is provided for REFERENCE use only. Not for MANUFACTURE, or DESIGN INFORMATION.
All information contained in this document represents work sponsored by an agency of the U.S. Government. Neither the U.S. Government nor any agency thereof, nor Universities Research Association, Inc., nor any of their employees or officers, makes any warranty, express or implied, or assumes any legal liability or responsibility for the accuracy, completeness, or usefulness of any information, apparatus, product or process disclosed, or represents that its use would not infringe privately owned rights.