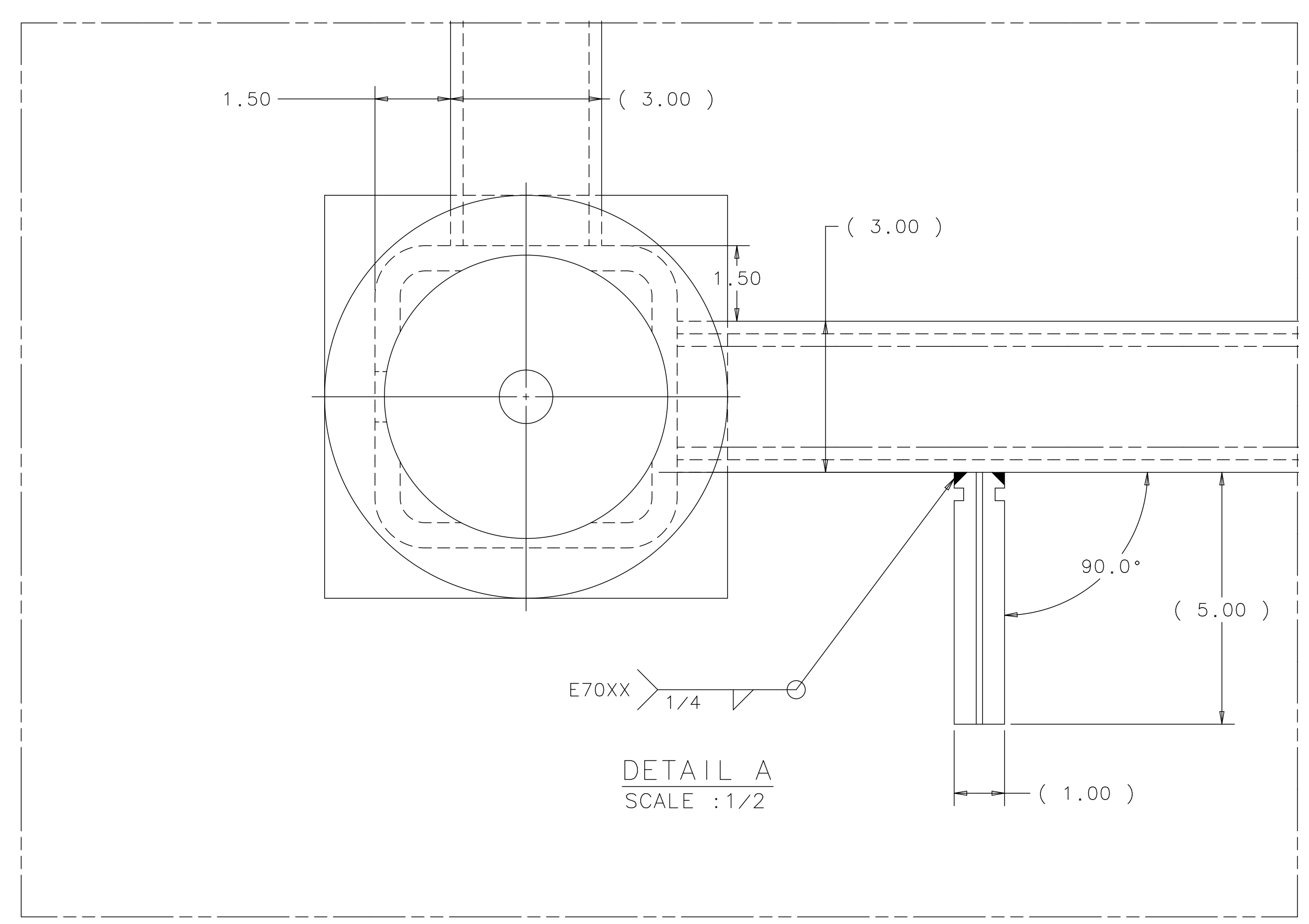
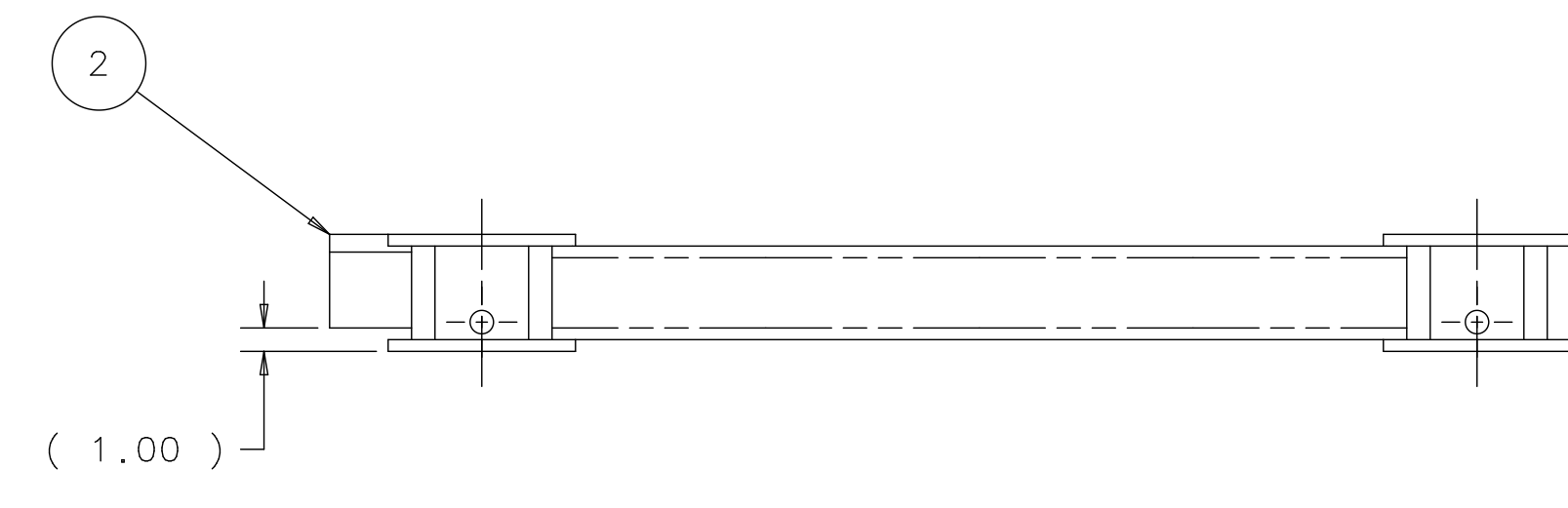


ISOMETRIC VIEW  
SCALE : 3:16



DETAIL A  
SCALE : 1/2

NOTES:  
1. PAINT WITH (2) COATS OF RED PRIMER.

WEIGHT = 258 LBS

ITEM	PART NO.	DESCRIPTION OR SIZE	QTY.
4	COML	TUBE- 4 X 3 X 1/4 X 58.00 LG.	2
3	COML	TUBE- 4 X 3 X 1/4 X 36.50 LG.	2
2	MB-489940	TRANSVERSE LOCATOR PLATE	1
1	MC-489942	PANCAKE CYLINDER CRADLE	4

PARTS LIST			
UNLESS OTHERWISE SPECIFIED	ORIGINATOR	E.VILLEGAS	10-SEP-2012
.XX	.XXX	ANGLES	DRAWN
± .06	± ---	± ---	CHECKED
			APPROVED
			USED ON
			ME-493466
			MATERIAL
			SEE PARTS LIST ABOVE

FERMI NATIONAL ACCELERATOR LABORATORY  
UNITED STATES DEPARTMENT OF ENERGY

NOVA-NEAR\_DETECTOR  
MUON CATCHER  
TRANSPORTING LOWER FRAME WELDMNT

SCALE	DRAWING NUMBER	SHEET	REV
1:8 & NOTED	3929.330-ME-489941	1 OF 1	
CREATED WITH	Idaos12NXSeries	GROUP:	PPD/MECHANICAL DEPARTMENT

NOTICE: IMAGE OBTAINED FROM FERMILAB  
Computer Aided Design Group.  
This image is an uncontrolled document and may not be current, approved version.  
This information is provided for REFERENCE use only. It is not to be used for MANUFACTURE or DESIGN INFORMATION.  
All information contained in this document represents work sponsored by an agency of the U.S. Government; neither the U.S. Government nor any of its employees or officers, makes any warranty, express or implied, or assumes any legal liability or responsibility for the accuracy, completeness, or usefulness of any information, process, product, or process disclosed, or represents that its use would not infringe privately owned rights.