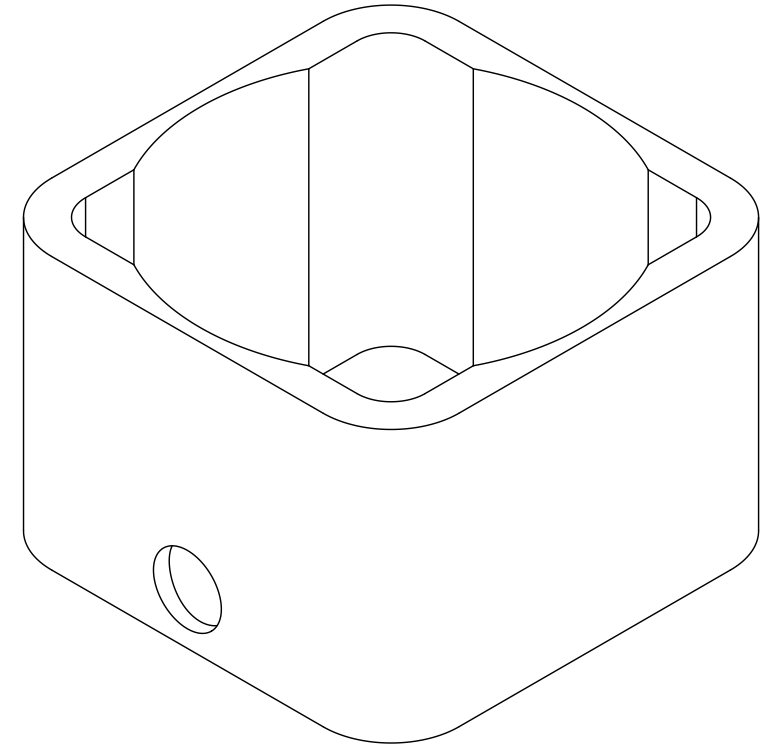
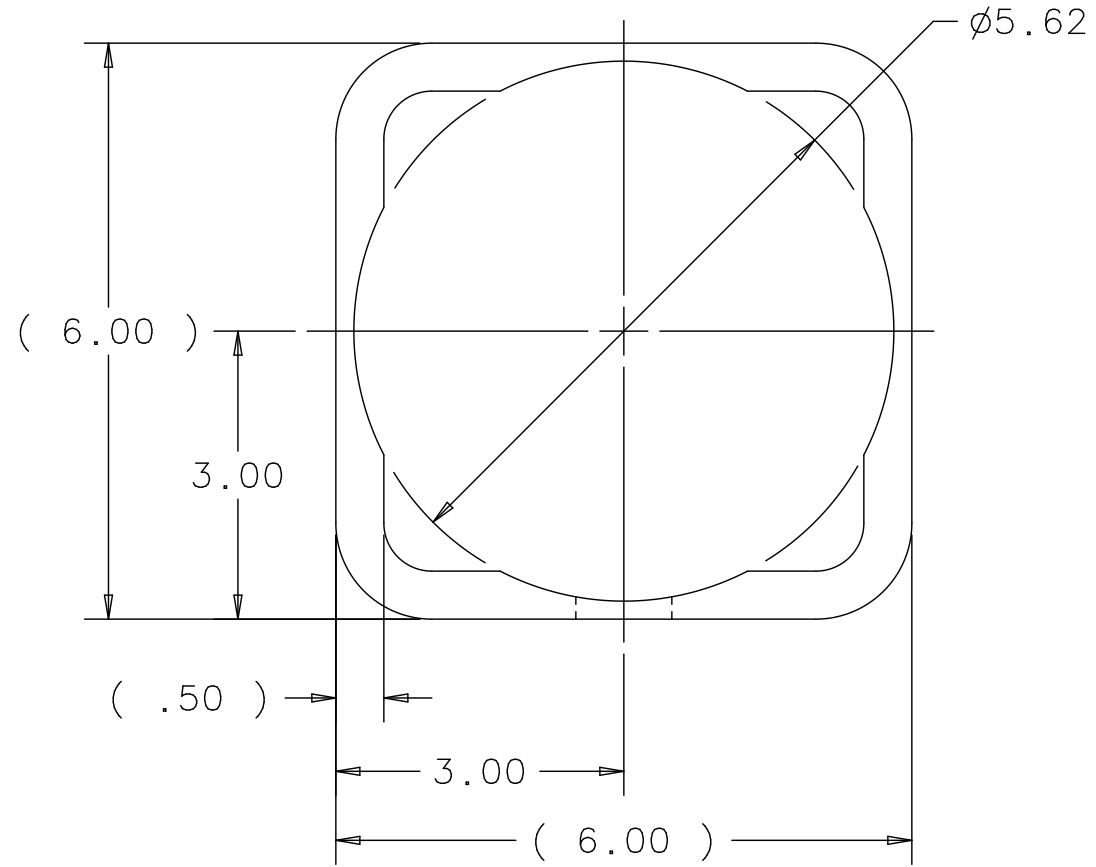
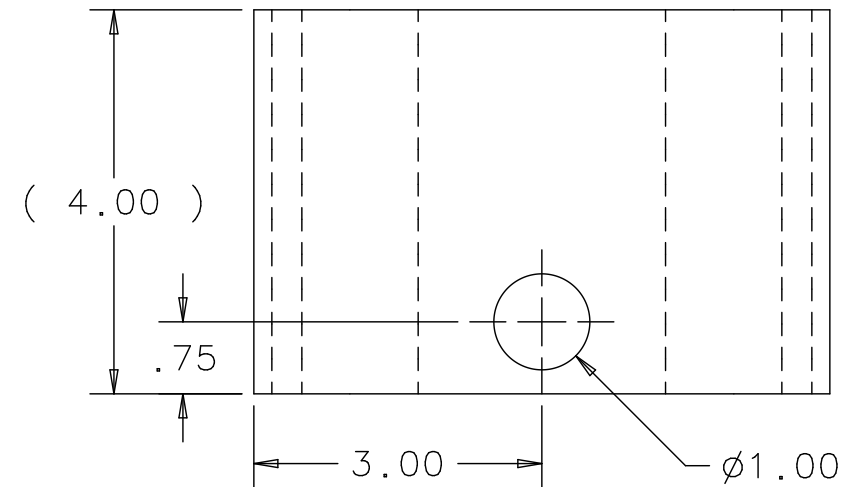


REV	DESCRIPTION	DRAWN	DATE
		APPROVED	DATE



ISOMETRIC VIEW

WEIGHT = 9.2 LBS



UNLESS OTHERWISE SPECIFIED			ORIGINATOR	E.VILLEGAS	10-SEP-2012
.XX	.XXX	ANGLES	DRAWN	W.CYKO	10-SEP-2012
± .01	± .005	± - -	CHECKED	D.FRIEND	24-OCT-2012
1. BREAK ALL SHARP EDGES .015 MAX. 2. DO NOT SCALE DRAWING. 3. DIMENSIONS BASED UPON ASME Y14.5M-1994 4. MAX. ALL MACH. SURFACES 125 / ✓ 5. DRAWING UNITS: U.S. INCH			APPROVED	E.VILLEGAS	25-OCT-2012
			USED ON		
MATERIAL			SQUARE STRUCTURAL TUBING 6X6X1/2 X 4.00 LG., CARBON STEEL A500 GR. B		

 FERMILAB NATIONAL ACCELERATOR LABORATORY  
UNITED STATES DEPARTMENT OF ENERGY

NOVA-NEAR\_DETECTOR  
MUON CATCHER/PANCAKE CYLS CRADLE  
TUBE

SCALE	DRAWING NUMBER	SHEET	REV
1:2	3929.330-MB-489939	1 OF 1	

CREATED WITH : Ideas12NXSeries GROUP: PPD/MECHANICAL DEPARTMENT

NOTICE: IMAGE OBTAINED FROM FERMILAB  
Computer Aided Design Group.  
This image is an uncontrolled document and may not be  
the current, approved version.  
This information is provided for REFERENCE use only.  
Not for MANUFACTURE, or DESIGN INFORMATION.  
All information contained in this document represents  
work sponsored by an agency of the U.S. Government.  
Neither the U.S. Government nor any agency thereof,  
nor Universities Research Association, Inc., nor any of  
their employees or officers, makes any warranty, express  
or implied, or assumes any legal liability or  
responsibility for the accuracy, completeness, or  
usefulness of any information, apparatus, product or  
process disclosed, or represents that its use would not  
infringe privately owned rights.