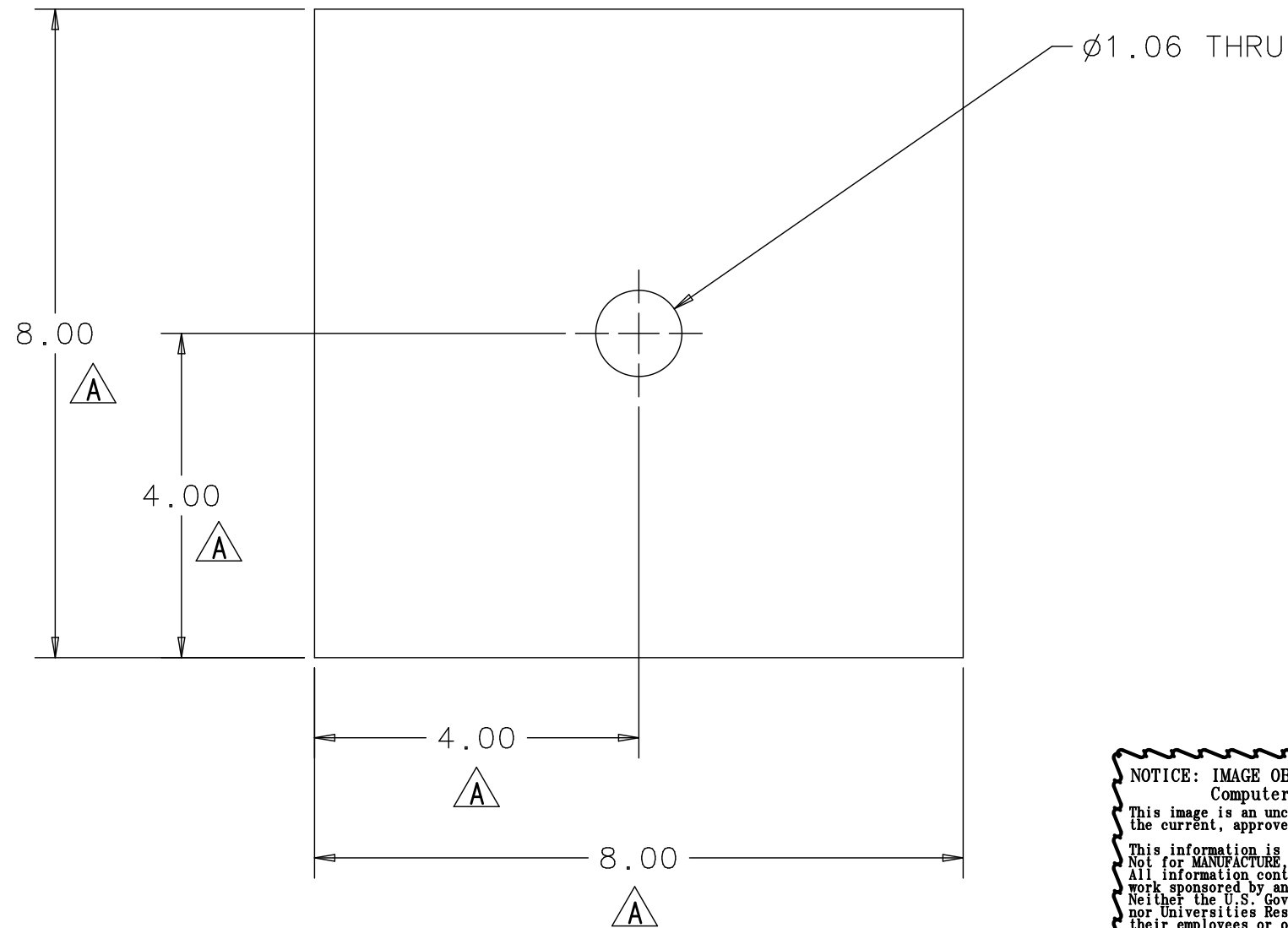
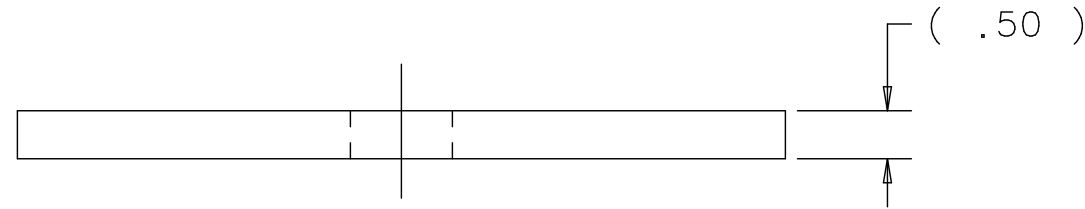


REV	DESCRIPTION	DRAWN	DATE
		APPROVED	DATE
A	PLATE WAS 6.50 X 6.50 NOW 8.00 X 8.00 WEIGHT WAS 5.8 LBS. NOW 9 LBS	G SMITH	30-MAY-2013
		D FRIEND/EMV	30-MAY-2013



WEIGHT = 9 LBS

A

UNLESS OTHERWISE SPECIFIED			ORIGINATOR	E.VILLEGAS	10-SEP-2012
.XX	.XXX	ANGLES	DRAWN	W.CYKO	10-SEP-2012
± .03	± ---	± --	CHECKED	D.FRIEND	24-OCT-2012
1. BREAK ALL SHARP EDGES .015 MAX. 2. DO NOT SCALE DRAWING. 3. DIMENSIONS BASED UPON ASME Y14.5M-1994 4. MAX. ALL MACH. SURFACES 125 / 5. DRAWING UNITS: U.S. INCH			APPROVED	E.VILLEGAS	25-OCT-2012
			USED ON		MC-489942
			MATERIAL	ASTM-A36 STEEL	



FERMI NATIONAL ACCELERATOR LABORATORY
UNITED STATES DEPARTMENT OF ENERGY

NOVA-NEAR_DETECTOR
MUON CATCHER/PANCAKE CYLS CRADLE
BOTTOM PLATE

SCALE	DRAWING NUMBER	SHEET	REV
1:2	3929.330-MB-489938	1 OF 1	A

CREATED WITH : Ideas12NXSeries GROUP: PPD/MECHANICAL DEPARTMENT

NOTICE: IMAGE OBTAINED FROM FERMILAB
Computer Aided Design Group.
This image is an uncontrolled document and may not be
the current, approved version.
This information is provided for REFERENCE use only.
Not for MANUFACTURE, or DESIGN INFORMATION.
All information contained in this document represents
work sponsored by an agency of the U.S. Government.
Neither the U.S. Government nor any agency thereof,
nor Universities Research Association, Inc., nor any of
their employees or officers, makes any warranty, express
or implied, or assumes any legal liability or
responsibility for the accuracy, completeness, or
usefulness of any information, apparatus, product or
process disclosed, or represents that its use would not
infringe privately owned rights.