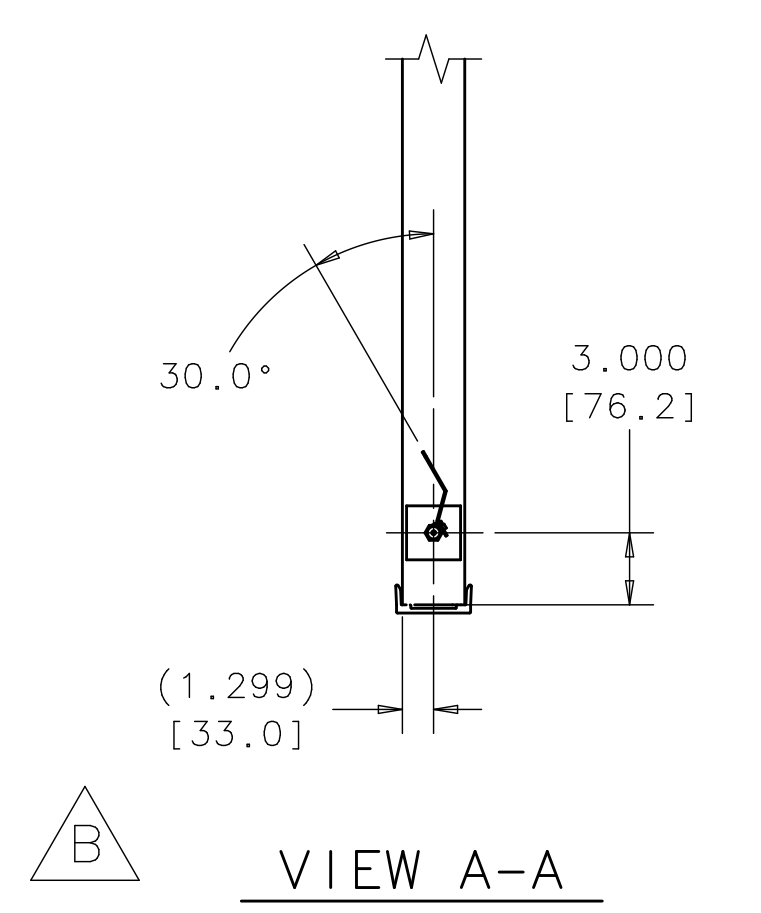
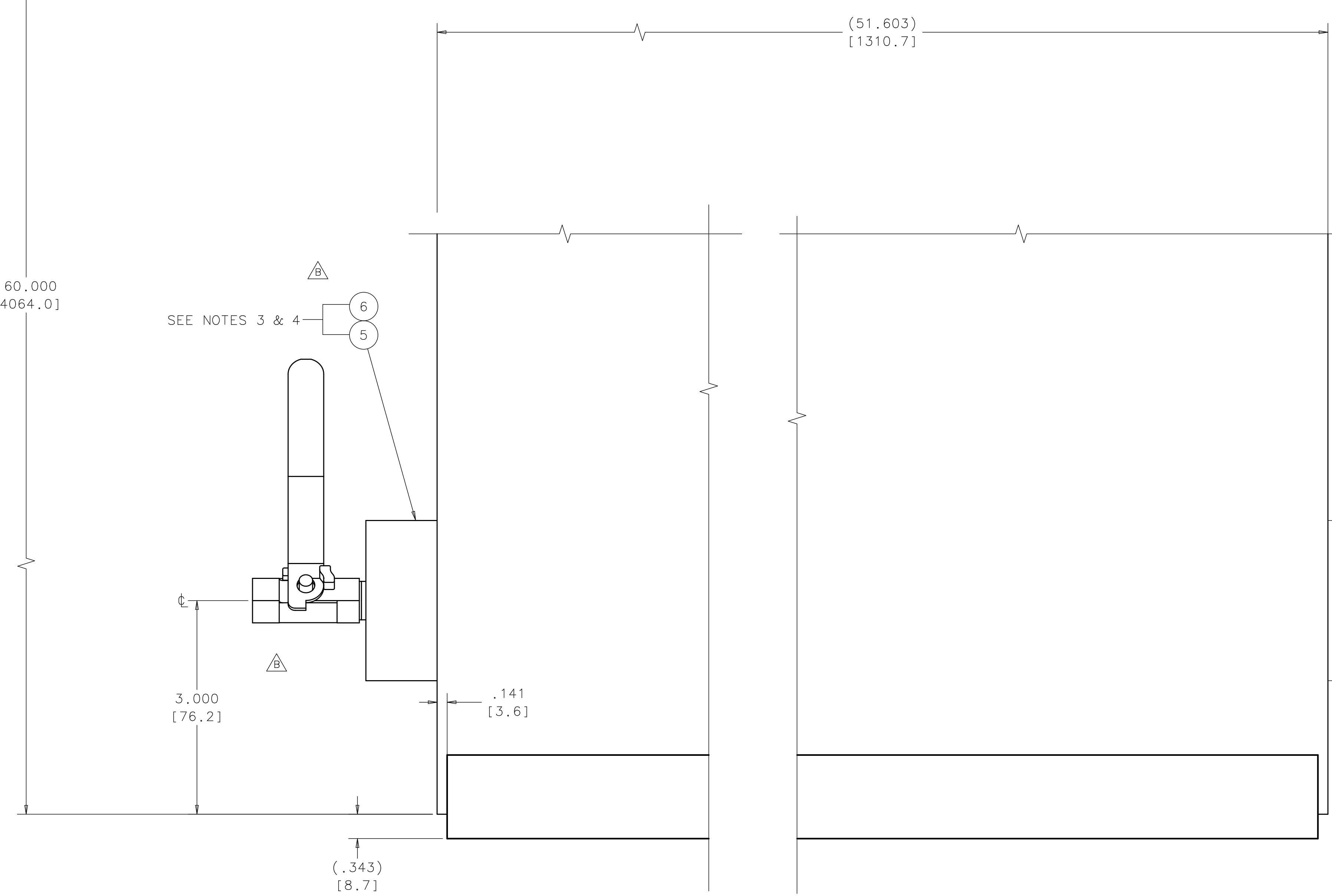
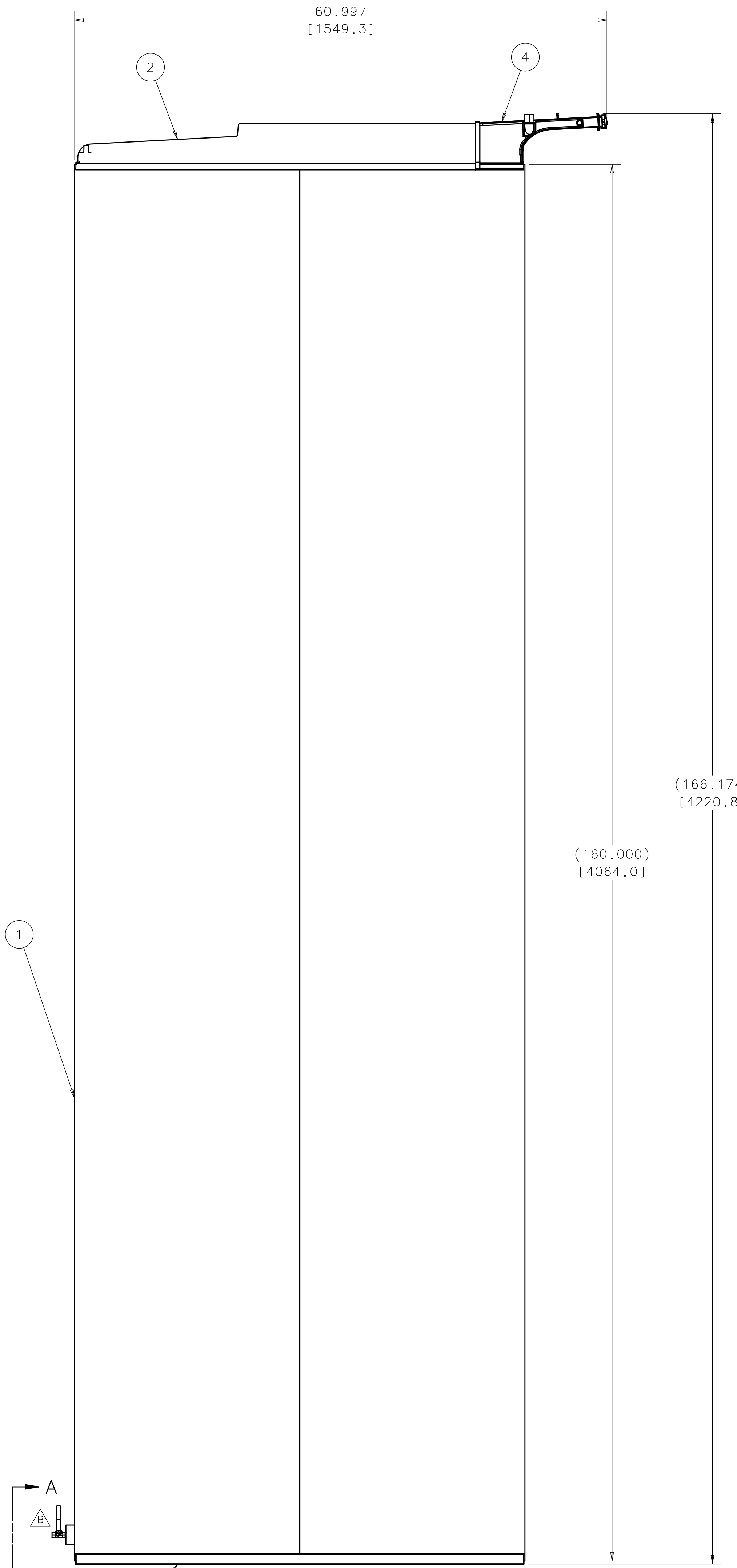
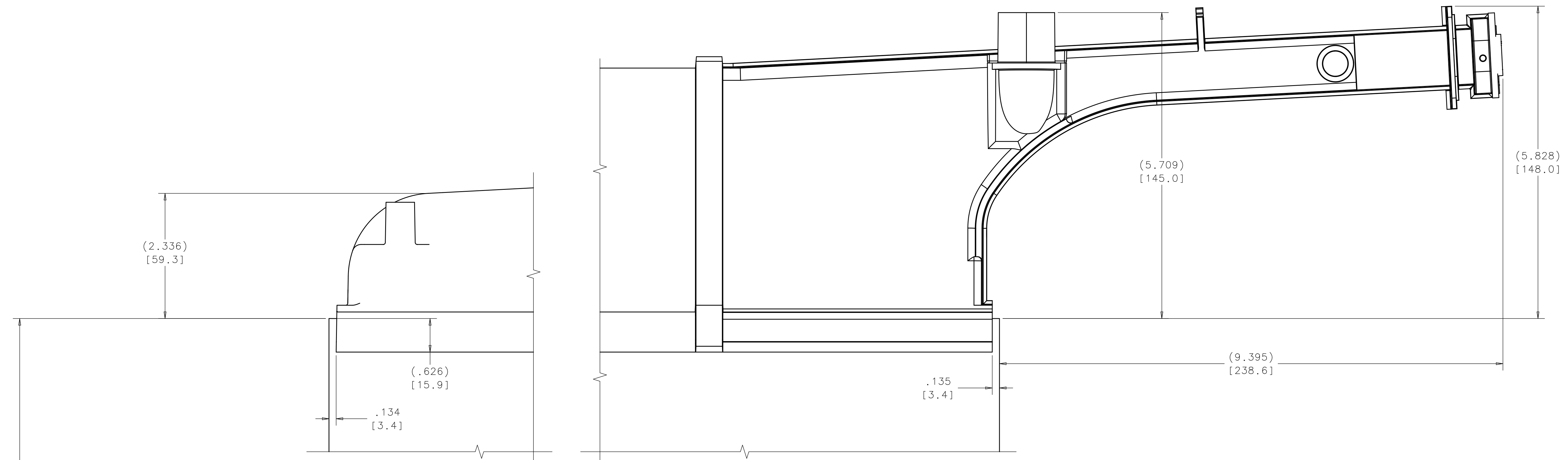
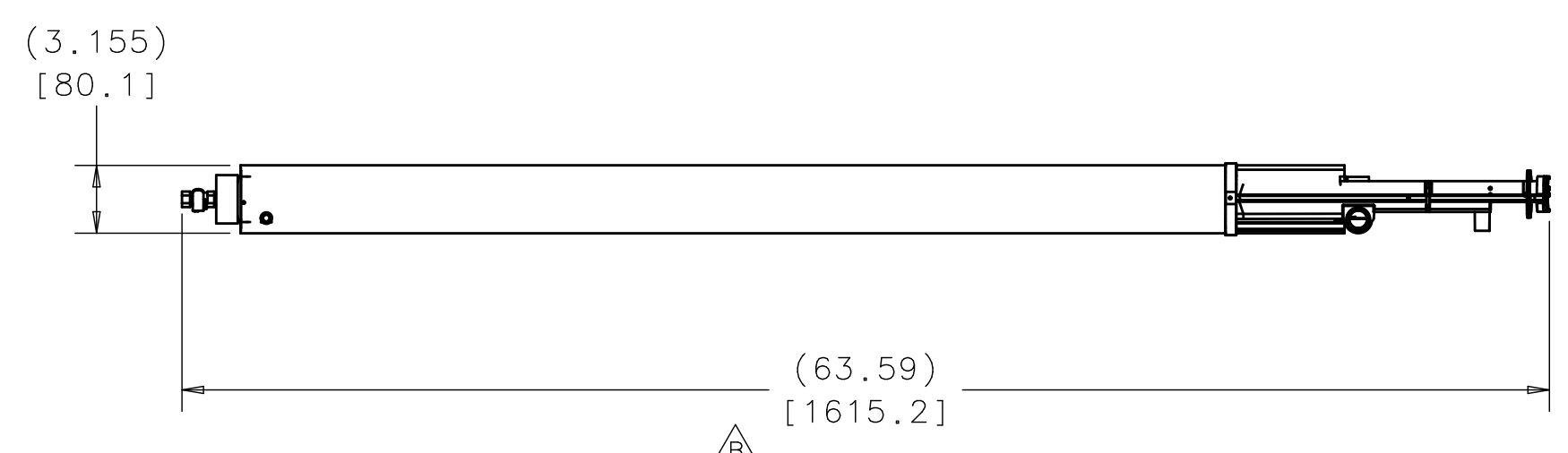


REV	DESCRIPTION	DRAWN APPROVED	DATE
A	CHG'D NOTE 1 WEIGHT FROM 168 LBS TO 257 LBS. UPDATED ITEMS #2 & 4 W/CURRENT VERSION	D.FRIEND	21-SEP-2009
B	ADDED DRAIN VALVE ASSY, ITEMS #5 & 6 IN B.O.M. AND NOTES 3 & 4. CHG'D WEIGHT FROM 257 LBS. ADDED VIEW A-A	GARY W. SMITH D.FRIEND	08-OCT-2009 25-FEB-2010



ENLARGED CORNER VIEWS

- 4. THE DRAIN VALVE ASSEMBLY (ITEM #5) SHALL BE INSTALLED ON ONE HALF OF ALL UNITS AS SHOWN. THE REMAINING HALF TO BE ASSEMBLED SHALL HAVE THE DRAIN VALVE ASSEMBLY (ITEM #5) INSTALLED ON THE OPPOSITE SIDE OF THE EXTRUSION AS SHOWN IN AREA C2 OF THE DWG.
- 3. DRILL ϕ .120 (MIN) TO ϕ .144 (MAX) THRU WALL OF EXTRUSION PRIOR TO GLUEING ON THE DRAIN VALVE ASSEMBLY (ITEM #5).
- 2. ALL INTERNAL PIECE PARTS/SUB-ASSEMBLIES ARE AS PROVIDED BY THE UNIV. OF MINNESOTA.
- 1. ESTIMATED WEIGHT = 258 LBS.

NOTES:

ITEM	PART NO.	DESCRIPTION OR SIZE	QTY.
6		DEVCON PLASTIC WELDER 80 ADHESIVE .012 - .015" THK	AS REQ'D
5	MC-466668	DRAIN VALVE ASSEMBLY	1
4		SNOUT ASSY--SEE NOTE 2	1
3		BOTTOM SEAL--SEE NOTE 2	1
2		MANIFOLD--SEE NOTE 2	1
1	MD-444B16	16 CELL VERTICAL EXTRUSIONS GLUED	1

PARTS LIST			
UNLESS OTHERWISE SPECIFIED	ORIGINATOR	V. GUARINO	18-DEC-2007
.XX	.XX	ANGLES	D.FRIEND
±	±	±	G. SMITH
1. BREAK ALL SHARP EDGES	APPROVED	P. LUKENS	08-JUL-2009
2. DO NOT SCALE DRAWING.	USED ON	ME-444096 & ME-444583	
3. DIMENSIONS BASED UPON ASME Y14.5M-1994	MATERIAL	SEE PARTS LIST ABOVE	
4. MAX. ALL MACH. SURFACES			
5. DRAWING UNITS: U.S. INCH			

FERMI NATIONAL ACCELERATOR LABORATORY
UNITED STATES DEPARTMENT OF ENERGY

NOVA-DETECTOR_PROTOTYPE
IPND PVC MODULES
VERTICAL MODULE ASSEMBLY

SCALE 1:8 & 1:1	DRAWING NUMBER 3929.000-ME-444094	SHEET 1 OF 1	REV B
-----------------------	--------------------------------------	-----------------	----------

CREATED WITH: Ideo12NXSeries | GROUP: PPD/MECHANICAL DEPARTMENT