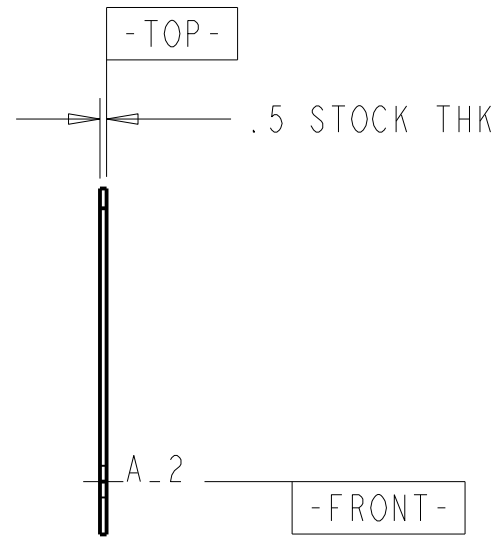
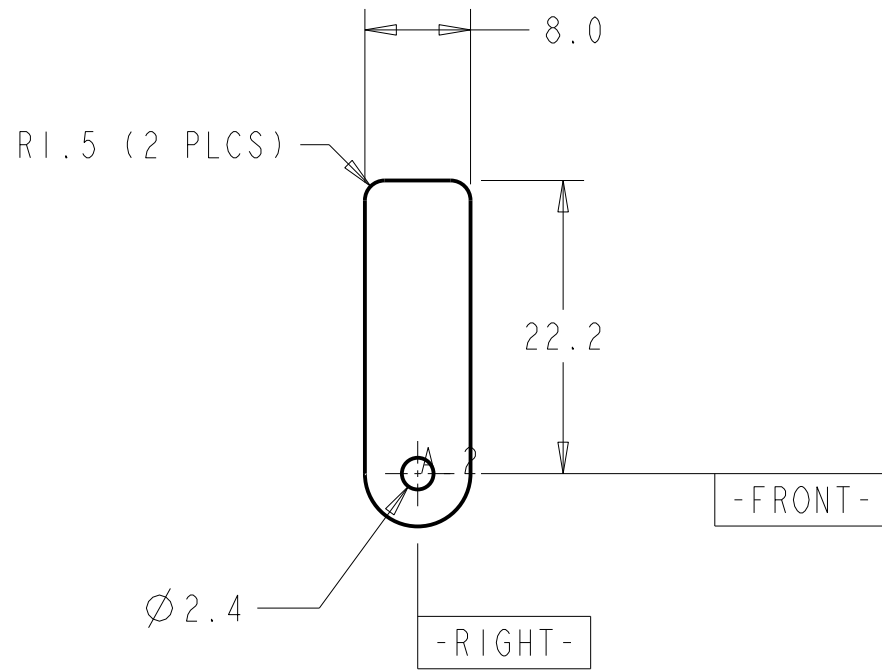


REV.	DESCRIPTION	DATE
------	-------------	------



TOLERANCES	ORIGINATOR	T. Chase	19-May-10
.X ±0.1	DRAWN BY	T. Chase	19-May-10
.XX ±0.01	CHECKED		
.XXX ±0.001	APPROVED		
Angles ±0.5	USED ON: IPND Prototype Top Raceway		

NOvA Experiment (Fermilab E929)

UNIVERSITY OF MINNESOTA

Fiber Tab

NOTES	
1	MATERIAL: 0.5 MM (.020 INCH) THICK POLYCARBONATE STRIP
2	QUANTITY: 225,000 (14 KT DETECTOR)

Model Type: PART	Model File Name: FIBER_TAB	Drawing File Name: FIBER_TAB
Scale 2.000:1	Drawing Number	Revision 1 of 1
Finish	All dimensions are in mm unless specified otherwise	