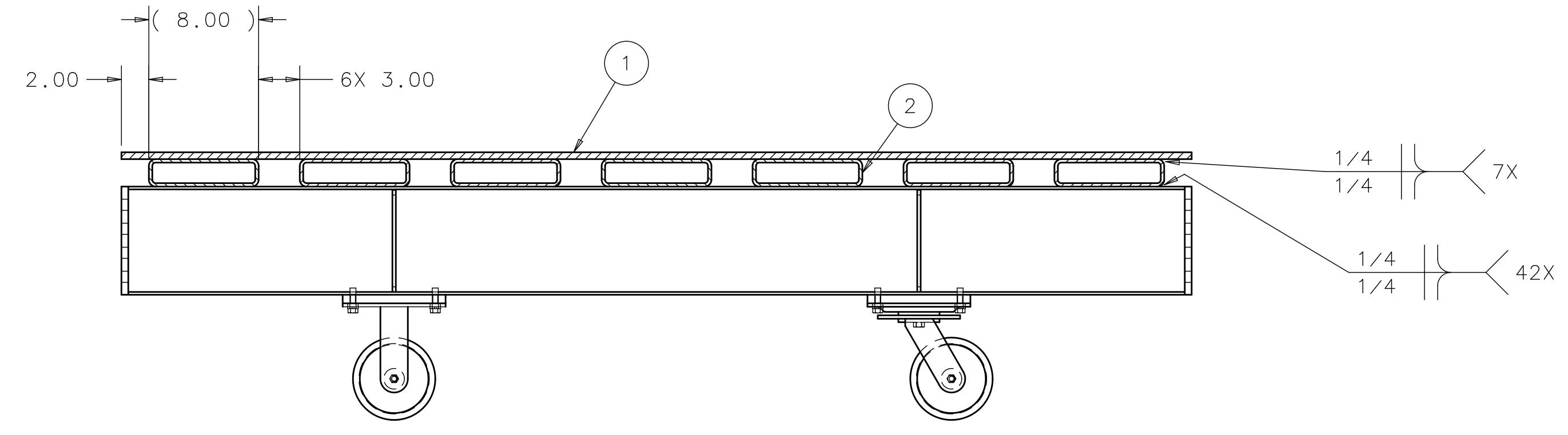
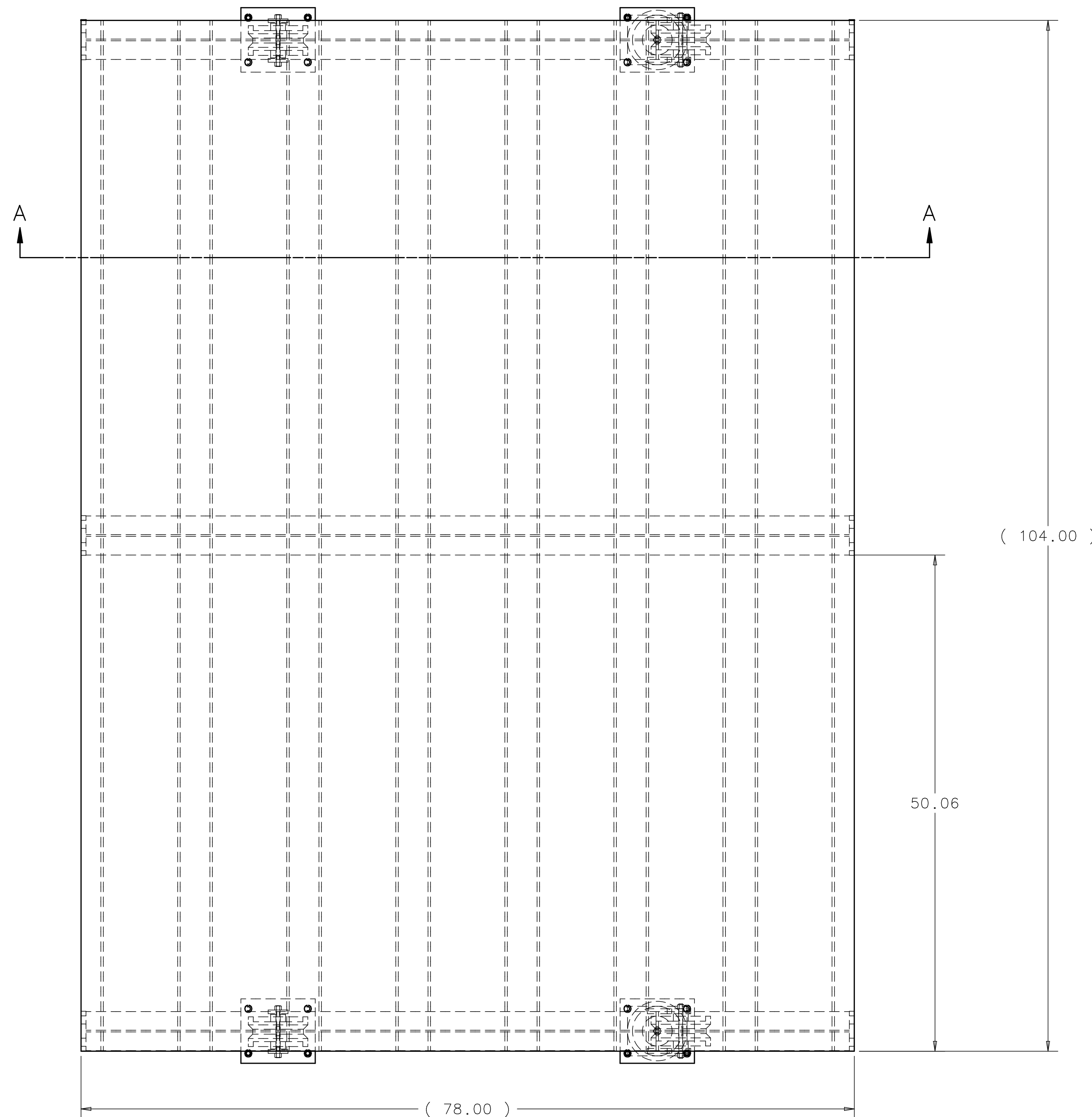


REV	DESCRIPTION	DRAWN	DATE
		APPROVED	DATE



SECTION A-A

- AFTER ALL WELDING IS COMPLETE, PAINT ASSEMBLY WITH 1 COAT OF RUST INHIBITOR PRIMER, RED IN COLOR AND 2 COATS OF A HI-GLOSS PAINT, SAFETY BLUE IN COLOR.
- APPROXIMATE WEIGHT OF ASSEMBLY IS 2,448 LBS.

TO BE PROVIDED AND INSTALLED BY FERMILAB

ITEM	PART NO.	DESCRIPTION OR SIZE	QTY.
9	MD-444629	BTTM CART HORZ MID SPVRT WELDMNT	1
8	COML	THREAD LOCKER, RED IN COLOR LOCKTITE 2260, ITEM #32525	AS REQ'D
7	MCMASTER CARR #2453T21	CASTER, V-GROOVE WHEEL, ZINC PLATED STL 6000# CAP, 8-1/2" HIGH, Ø6" WHEEL, SWIVEL	2
6	COML	WASHER, LOCK, PLAIN, STEEL 7/16 SCREW	16
5	COML	SCREW, CAP, HEX HD, ZINC PLATED STEEL GRADE 5, 7/16-14 UNC X 1.50 LG	16
4	MCMASTER CARR #2453T24	CASTER, V-GROOVE WHEEL, ZINC PLATED STL 6000# CAP, 8-1/2" HIGH, Ø6" WHEEL, RIGID	2
3	MD-444630	BOTTOM CART HORIZ SPVRT WELDMNT	2
2	COML	TUBE STEEL, 8 X 2 X 1/4 X 104.00 ASTM A-36 STEEL	7
1	COML	PLATE 1/2" X 78.00 X 104.00 ASTM A-36 STEEL	1

PARTS LIST

UNLESS OTHERWISE SPECIFIED	ORIGINATOR	V. GUARINO	10-MAY-2007
.XX .XXX ANGLES	DRAWN	D. FRIEND	10-MAY-2007
± .06 ± --- ± 1°	CHECKED	G. SMITH	11-MAY-2007
	APPROVED	V. GUARINO	31-JUL-2007
USED ON			
ME-444633			
MATERIAL			
SEE PARTS LIST ABOVE			

**FERMI NATIONAL ACCELERATOR LABORATORY**  
**UNITED STATES DEPARTMENT OF ENERGY**

**NOVA-DETECTOR\_PROTOTYPE**  
**IPND LIFTING FIXTURE HORZ BLOCK**  
**LIFTING FIXTURE BASE WELDMNT**

SCALE	DRAWING NUMBER	SHEET	REV
1:8	3929.000-MD-444632	1 OF 1	

CREATED WITH : Ideas12NXSeries GROUP: PPD/MECHANICAL DEPARTMENT

