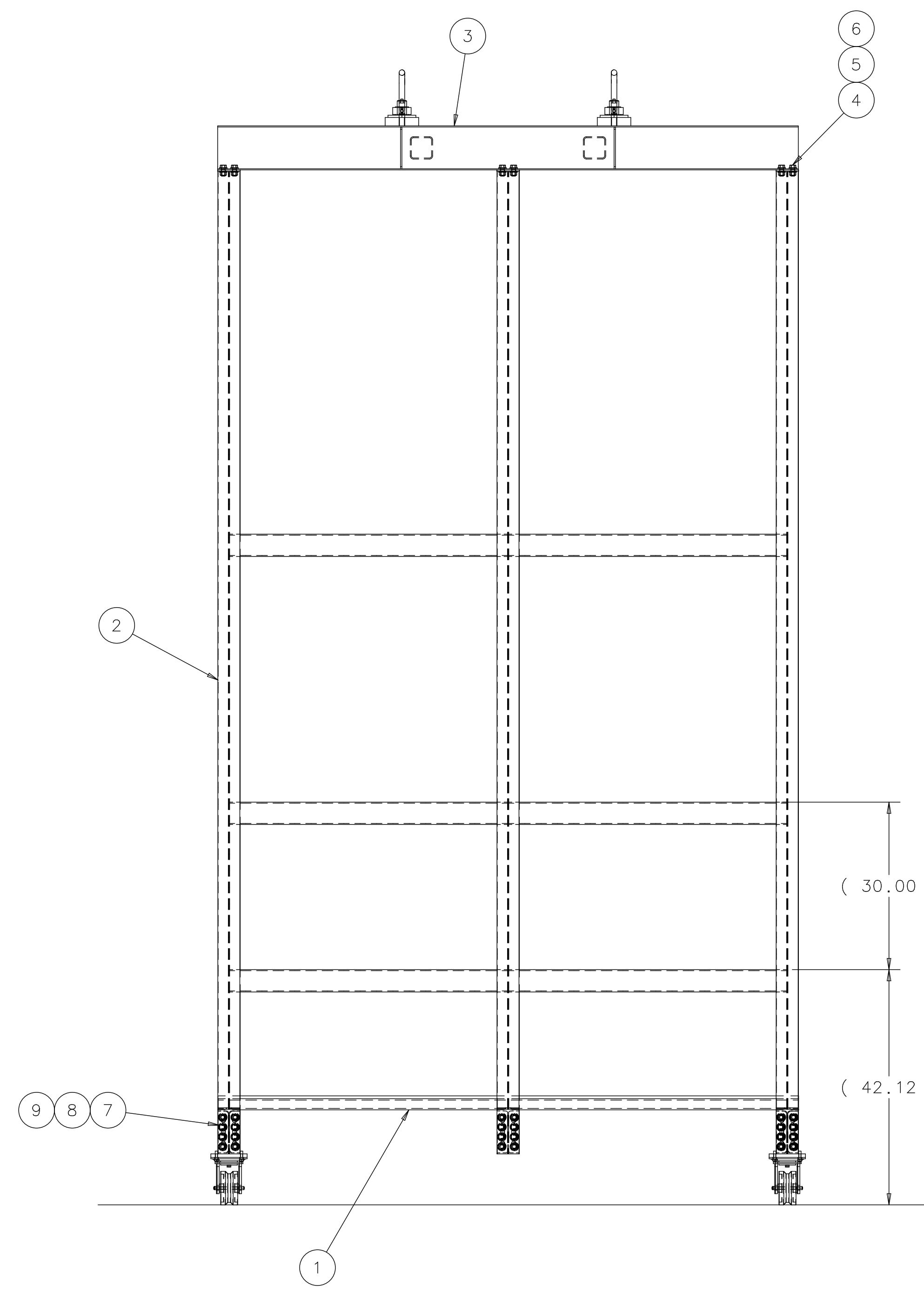
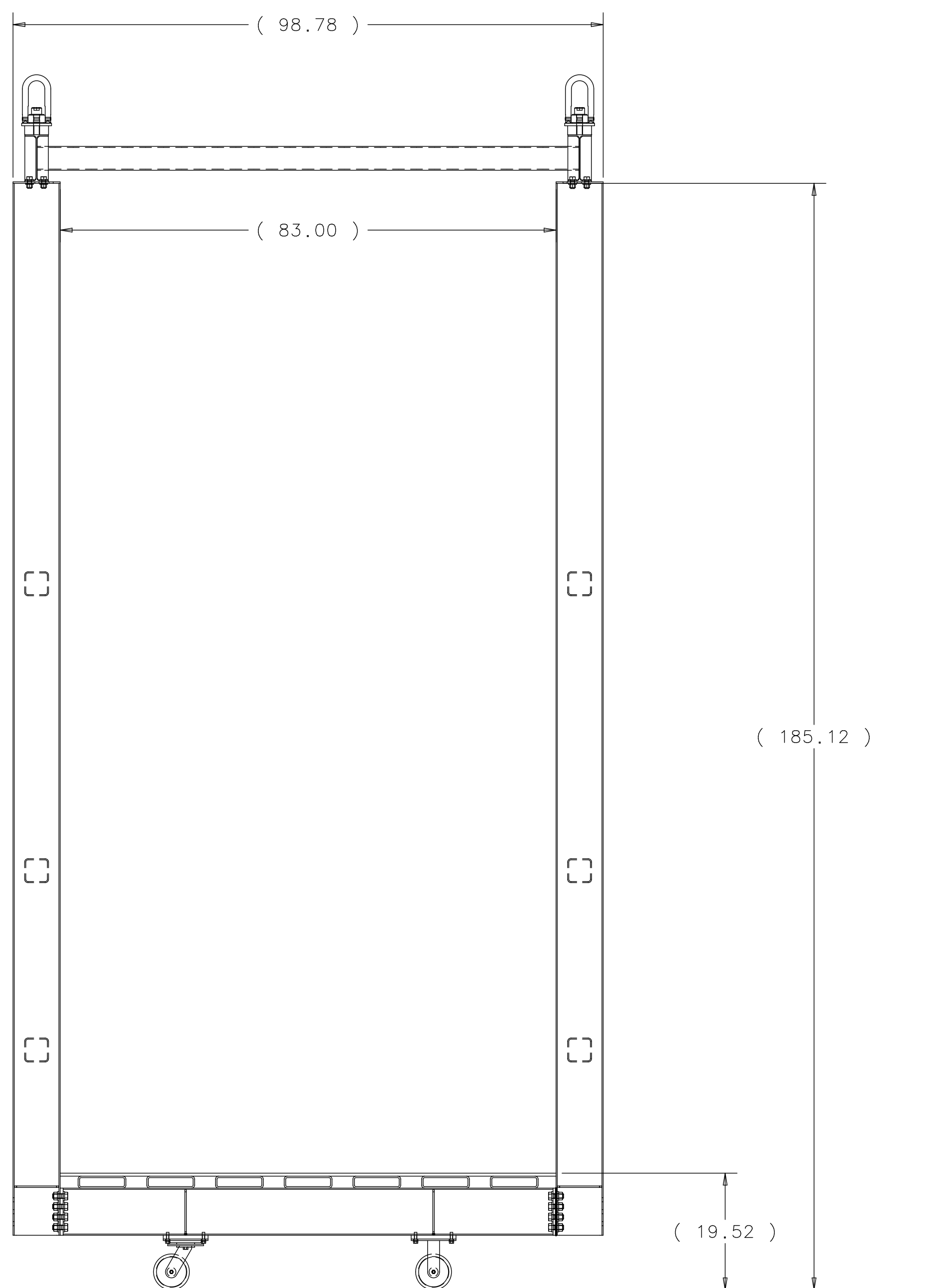
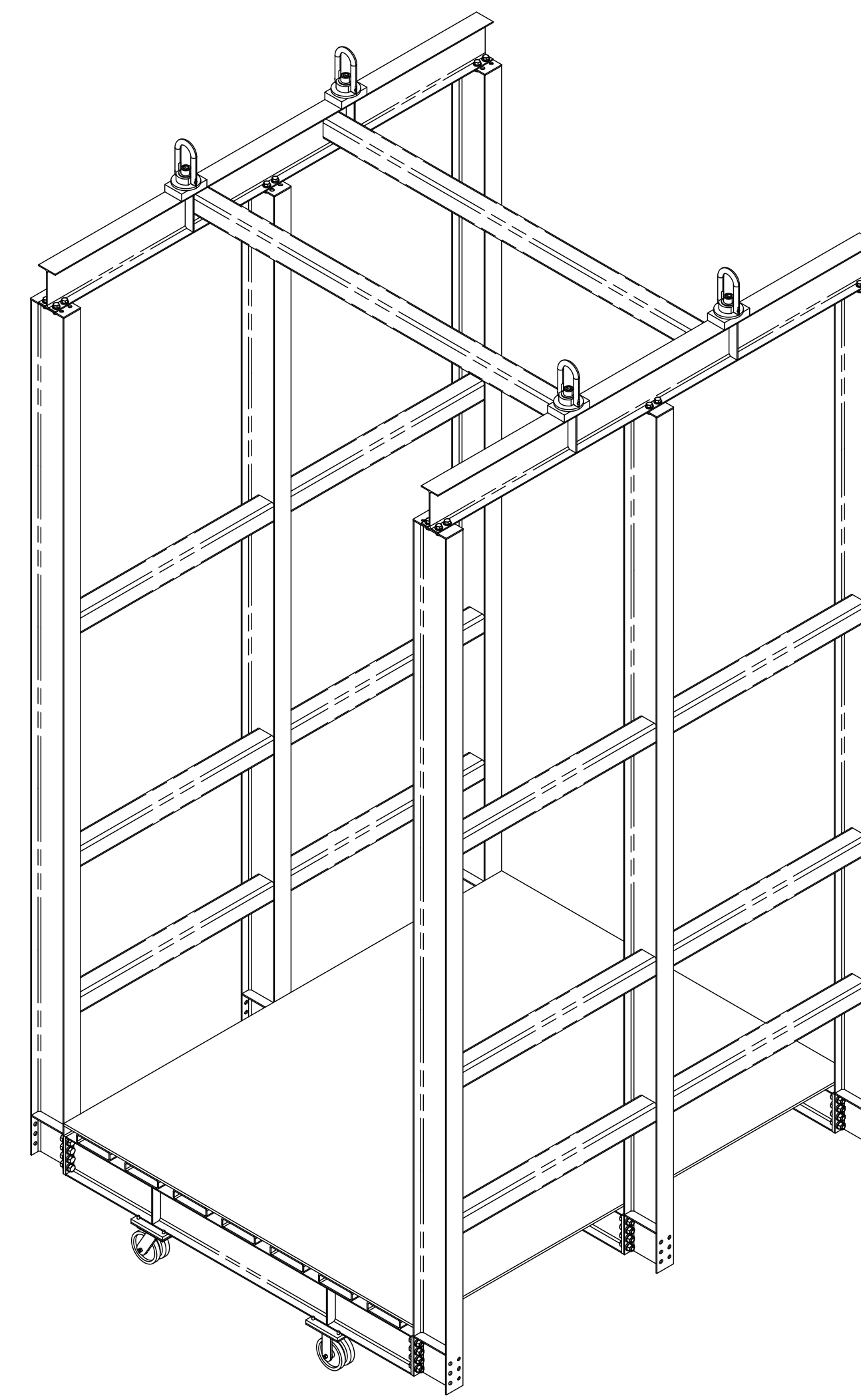
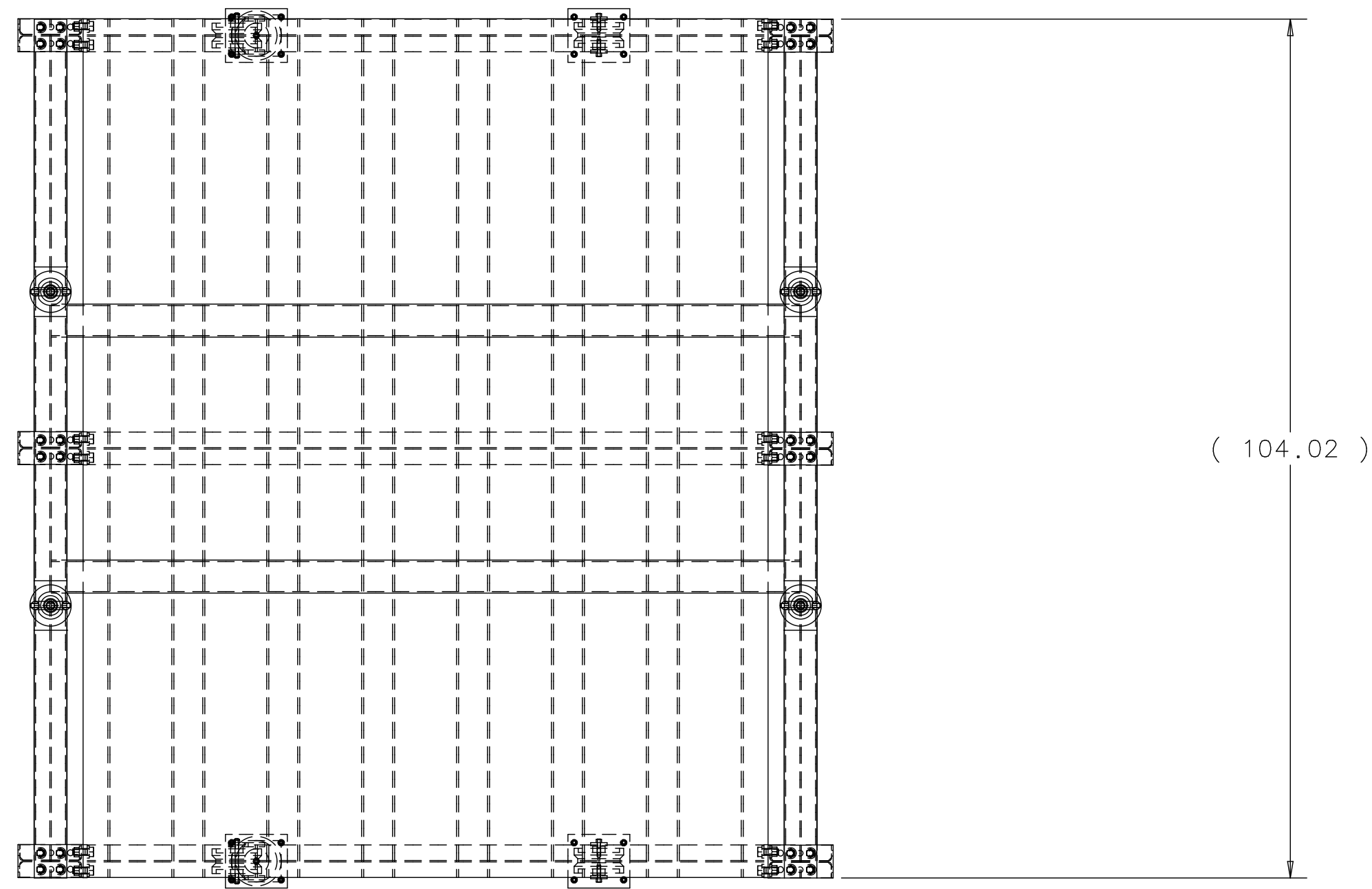


REV	DESCRIPTION	DRAWN	DATE
A	UPDATED ITEM #2 TO ITS CURRENT REVISION STATUS	D.FRIEND	06-MAR-2010



NOTES:

1. APPROXIMATE WEIGHT OF ASSEMBLY IS 4,335 LBS.

ITEM	PART NO.	DESCRIPTION OR SIZE	QTY.
9	COML	NUT, FULL HEX, GRADE 5, ALLOY STEEL 3/4-10 UNC	48
8	MCMASTER CARR #91201A036	WASHER, FLAT, PLAIN, STEEL, 3/4" BOLT 1.500 O.D., .781 I.D., .24 MIN THKNS	96
7	COML	SCREW, HEX HD, GRADE 5, ALLOY STEEL 3/4-10 UNC X 2" LG.	48
6	COML	NUT, FULL HEX, GRADE 5, ALLOY STEEL 5/8-11 UNC	24
5	MCMASTER CARR #98038A268	WASHER, FLAT, PLAIN, STEEL, 5/8" BOLT 1.313 O.D., .688 I.D., .122 MIN THKNS	48
4	COML	SCREW, HEX HD, GRADE 5, ALLOY STEEL 5/8-11 UNC X 1-1/2" LG.	24
3	MD-444199	TOP HORIZONTAL SUPPORT WELDMENT	1
2	MD-444198	VERTICAL SUPPORT WELDMENT	2
1	MD-444200	LIFTING FIXTURE BASE ASSY	1

PARTS LIST			
UNLESS OTHERWISE SPECIFIED	ORIGINATOR	V, GUARINO	18-JUL-2007
.XX	.XXX	ANGLES	D, FRIEND
±	±	±	G, SMITH
1. BREAK ALL SHARP EDGES	APPROVED	V, GUARINO	31-JUL-2007
2. DO NOT SCALE DRAWING.	USED ON	ME-444202	
3. DIMENSIONS BASED UPON ASME Y14.5M-1994	MATERIAL	SEE PARTS LIST ABOVE	
4. MAX. ALL WCH. SURFACES			
5. DRAWING UNITS: U.S. INCH			

FERMI NATIONAL ACCELERATOR LABORATORY
UNITED STATES DEPARTMENT OF ENERGY

NOVA-DETECTOR_PROTOTYPE
IPND LIFTING FIXTURE AND CART
LIFTING FIXTURE AND CART ASSY

SCALE	DRAWING NUMBER	SHEET	REV
1:16	3929.000-ME-444201	1 OF 1	A

CREATED WITH: Ideos12NXSeries | GROUP: PPD/MECHANICAL DEPARTMENT