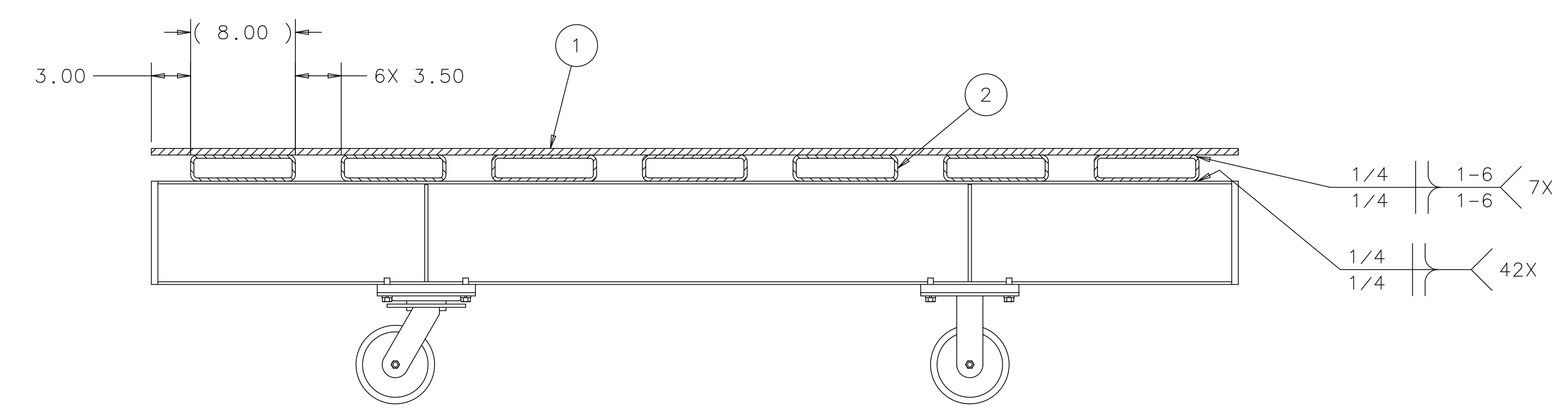
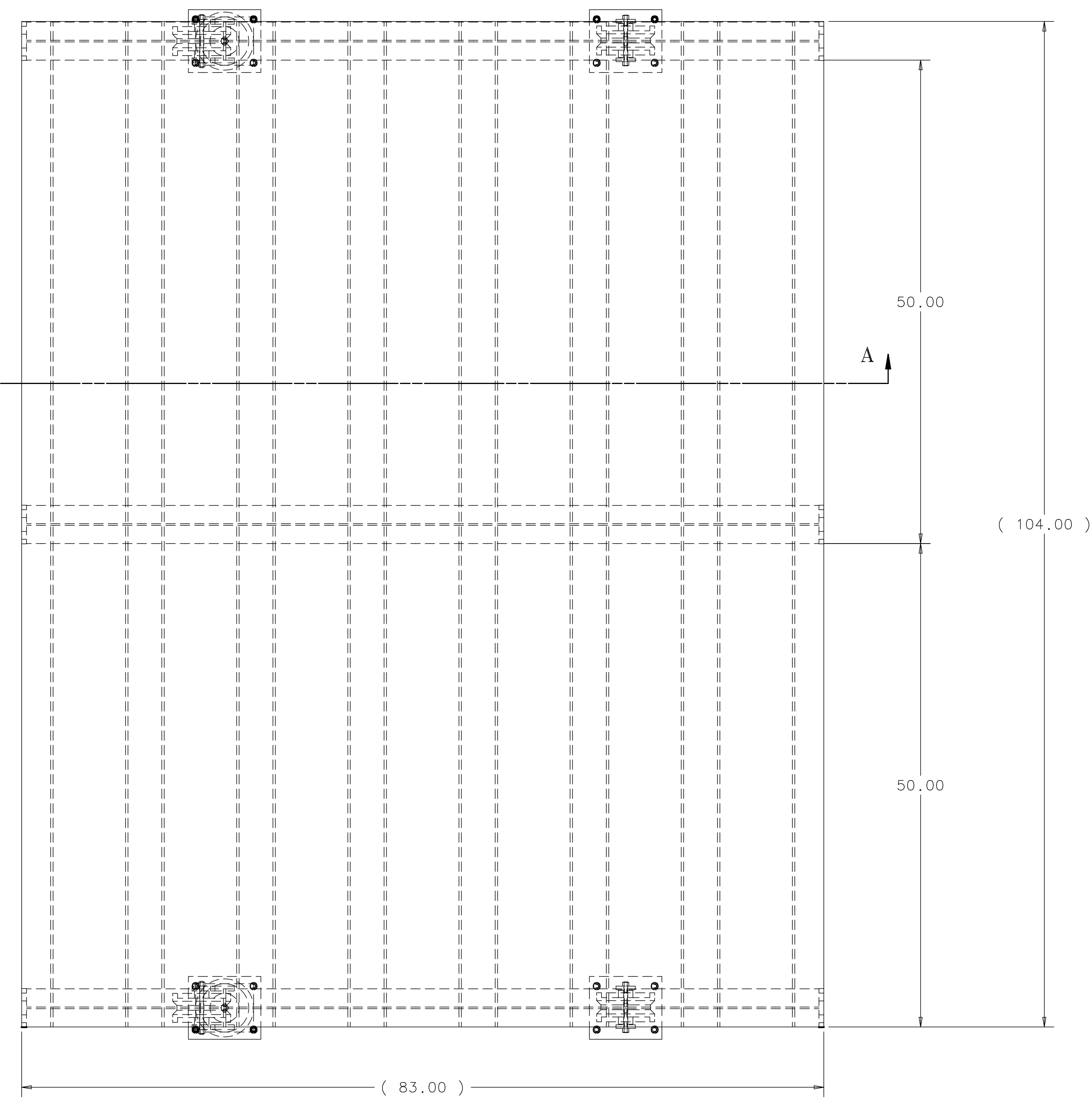


REV	DESCRIPTION	APPROVED	DATE



SECTION A-A

NOTES:

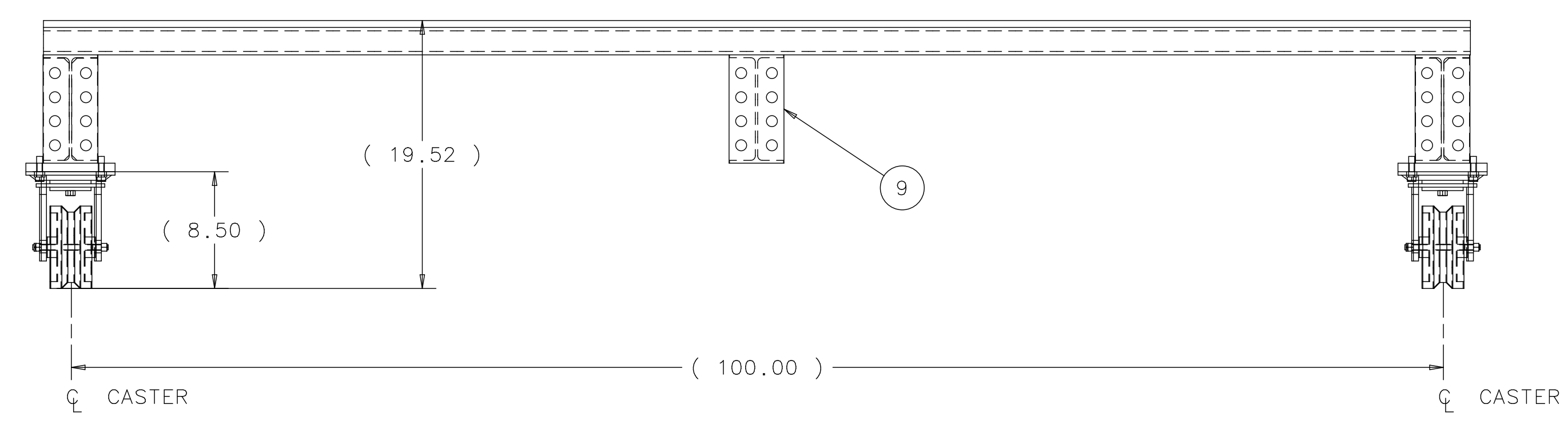
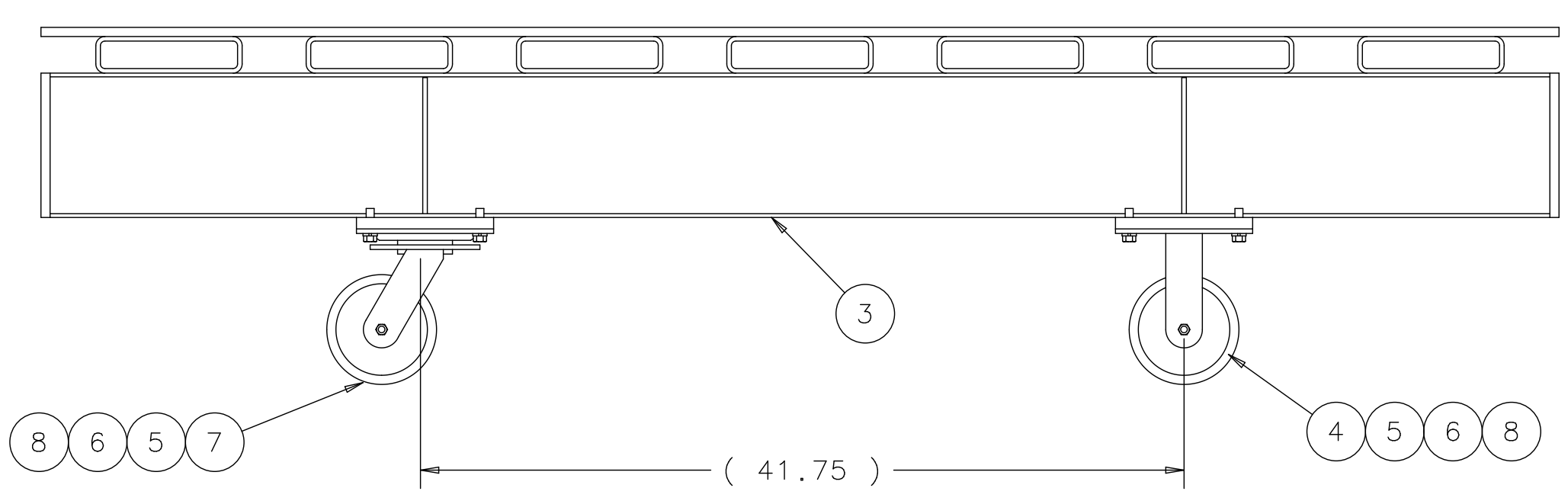
- AFTER ALL WELDING IS COMPLETE, PAINT ASSEMBLY WITH 1 COAT OF RUST INHIBITOR PRIMER, RED IN COLOR AND 2 COATS OF A HI-GLOSS PAINT, SAFETY BLUE IN COLOR.
- APPROXIMATE WEIGHT OF ASSEMBLY IS 2,535 LBS.

TO BE PROVIDED AND INSTALLED BY FERMILAB

ITEM	PART NO.	DESCRIPTION OR SIZE	QTY.
9	MD-444482	BTTM CART HORZ MID SPVRT WELDMNT	1
8	COML	THREAD LOCKER, RED IN COLOR LOCKTITE 2260, ITEM #32525	AS REQ'D
7	MCMASR CARR #2453T21	CASTER, V-GROOVE WHEEL, ZINC PLATED STL 6000# CAP, 8-1/2" HIGH, Ø6" WHEEL, SWIVEL	2
6	COML	WASHER, LOCK, PLAIN, STEEL 7/16 SCREW	16
5	COML	SCREW, CAP, HEX HD, ZINC PLATED STEEL GRADE 5, 7/16-14 UNC X 1.50 LG	16
4	MCMASR CARR #2453T24	CASTER, V-GROOVE WHEEL, ZINC PLATED STL 6000# CAP, 8-1/2" HIGH, Ø6" WHEEL, RIGID	2
3	MD-444197	BOTTOM CART HORIZ SPVRT WELDMNT	2
2	COML	TUBE STEEL, 8 X 2 X 1/4 X 104.00 ASTM A-36 STEEL	7
1	COML	PLATE 1/2" X 83.00 X 104.00 ASTM A-36 STEEL	1

PARTS LIST

UNLESS OTHERWISE SPECIFIED	ORIGINATOR	V. GUARINO	10-MAY-2007
.XX	.XXX	ANGLES	D. FRIEND
± .06	± ---	CHECKED	G. SMITH
1. BREAK ALL SHARP EDGES .015 MAX.	APPROVED	V. GUARINO	31-JUL-2007
2. DO NOT SCALE DRAWING.	USED ON	ME-444201	
3. DIMENSIONS BASED UPON ASME Y14.5M-1994	MATERIAL	SEE PARTS LIST ABOVE	
4. MAX. ALL MACH. SURFACES 125			
5. DRAWING UNITS: U.S. INCH			



FERMI NATIONAL ACCELERATOR LABORATORY
UNITED STATES DEPARTMENT OF ENERGY

NOVA-DETECTOR_PROTOTYPE
IPND LIFTING FIXTURE
LIFTING FIXTURE BASE ASSEMBLY

SCALE	DRAWING NUMBER	SHEET	REV
1:8	3929.000-MD-444200	1 OF 1	

CREATED WITH : Ideas12NXSeries GROUP: PPD/MECHANICAL DEPARTMENT