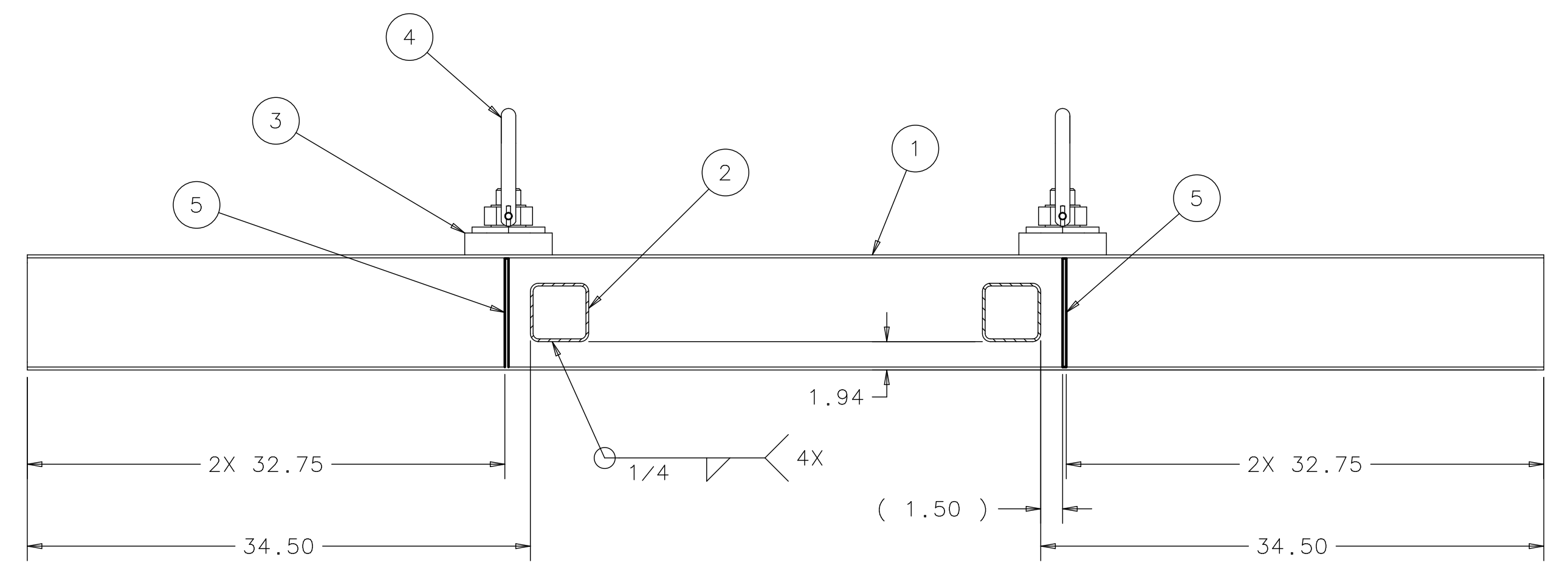
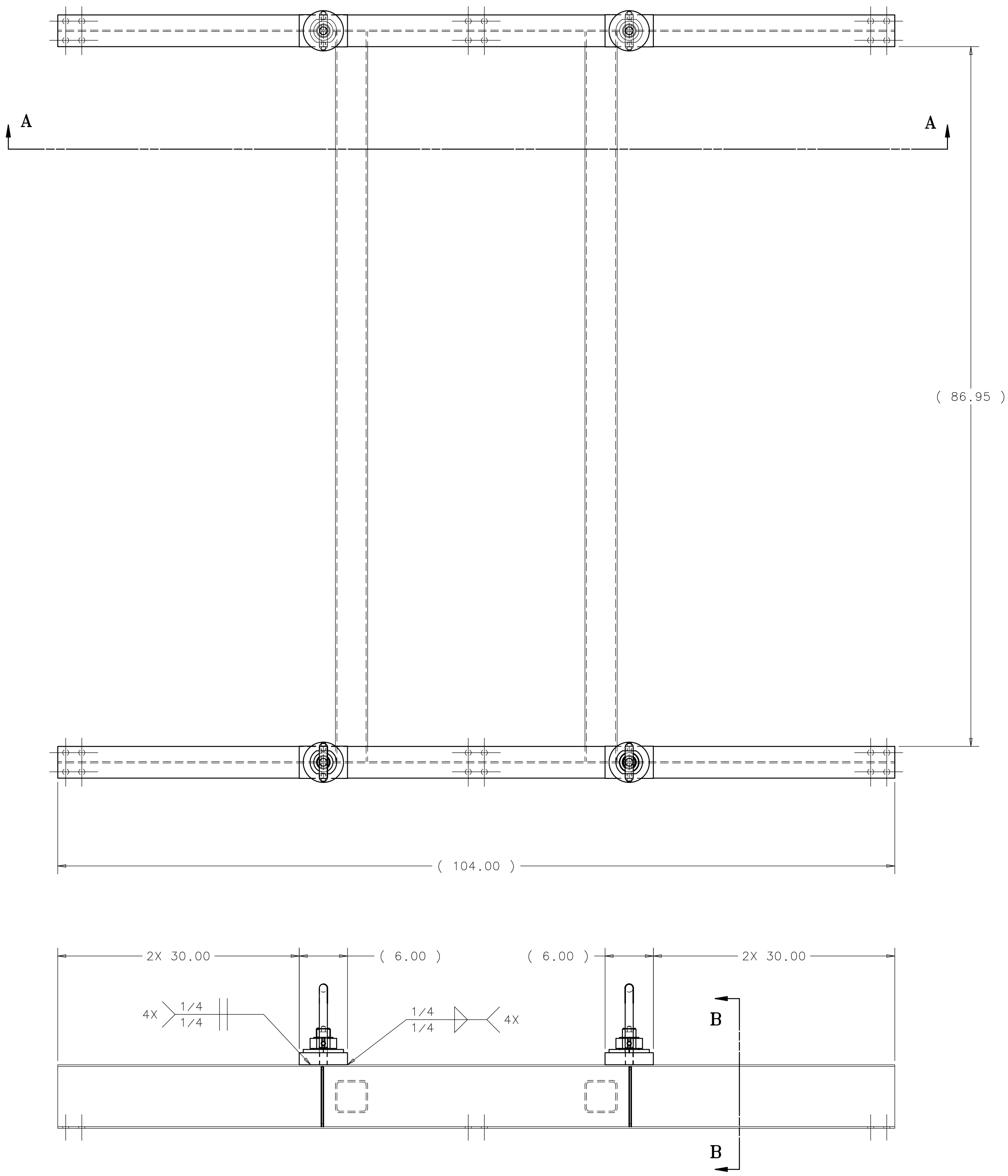


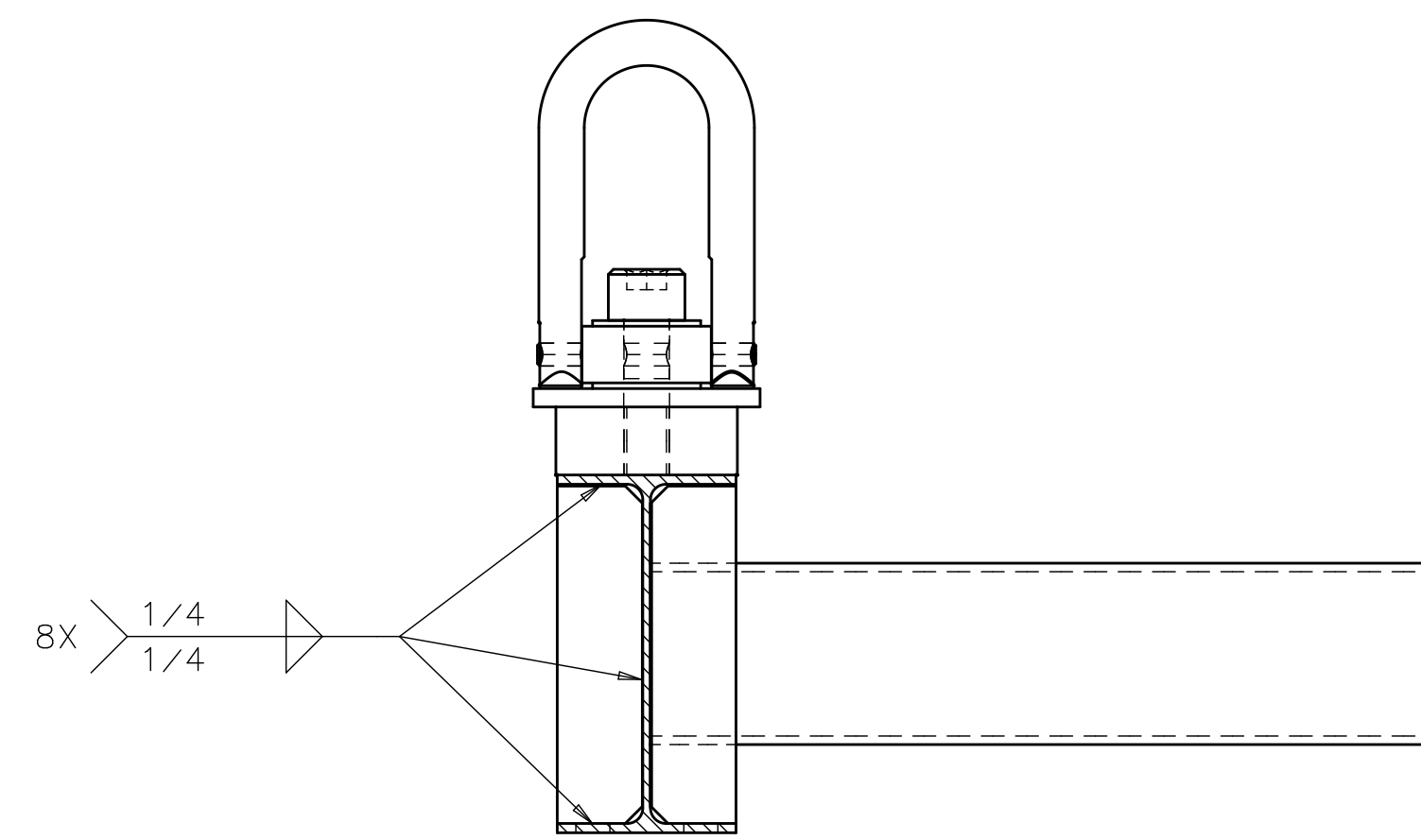
REV	DESCRIPTION	DRAWN	DATE
		APPROVED	DATE



**SECTION A-A**  
TYP. BOTH ENDS

**NOTES:**

1. AFTER ALL WELDING IS COMPLETE, PAINT ASSEMBLY WITH 1 COAT OF RUST INHIBITOR PRIMER, RED IN COLOR AND 2 COATS OF A HI-GLOSS PAINT, SAFETY BLUE IN COLOR.
2. APPROXIMATE WEIGHT OF ASSEMBLY IS 382 LBS.



**SECTION B-B**  
SCALE: 1:4

ITEM	PART NO.	DESCRIPTION OR SIZE	QTY.
5	MB-444195	BOTTOM SUPPORT STIFFENER	8
4	MCMASTER CARR #3070T54	HOIST RING, SWIVEL, 10,000# CAP ALLOY STEEL, 1-8 UNC	4
3	MB-444396	LIFTING RING MOUNTING PAD	4
2	COML	TUBE STEEL 4 X 4 X 1/4 X 90.72 LG. ASTM-A-36 STEEL	2
1	MD-444524	TOP HORIZONTAL LIFTING SUPPORT	2

**PARTS LIST**

UNLESS OTHERWISE SPECIFIED	ORIGINATOR	V. GUARINO	26-JUN-2007
.XX	.XXX	ANGLES	D. FRIEND
± .06	± ---	CHECKED	G. SMITH
		APPROVED	V. GUARINO
		USED ON	ME-444201
		MATERIAL	SEE PARTS LIST ABOVE

1. BREAK ALL SHARP EDGES .015 MAX.  
 2. DO NOT SCALE DRAWING.  
 3. DIMENSIONS BASED UPON ASME Y14.5M-1994  
 4. MAX. ALL WELD SURFACES  
 5. DRAWING UNITS: U.S. INCH

<b>NOVA-DETECTOR_PROTOTYPE          IPND LIFTING FIXTURE          TOP HORIZONTAL SUPPORT WELDMENT</b>			
SCALE	DRAWING NUMBER	SHEET	REV
1:8	3929.000-MD-444199	1 OF 1	

CREATED WITH : Ideas12NXSeries GROUP: PPD/MECHANICAL DEPARTMENT