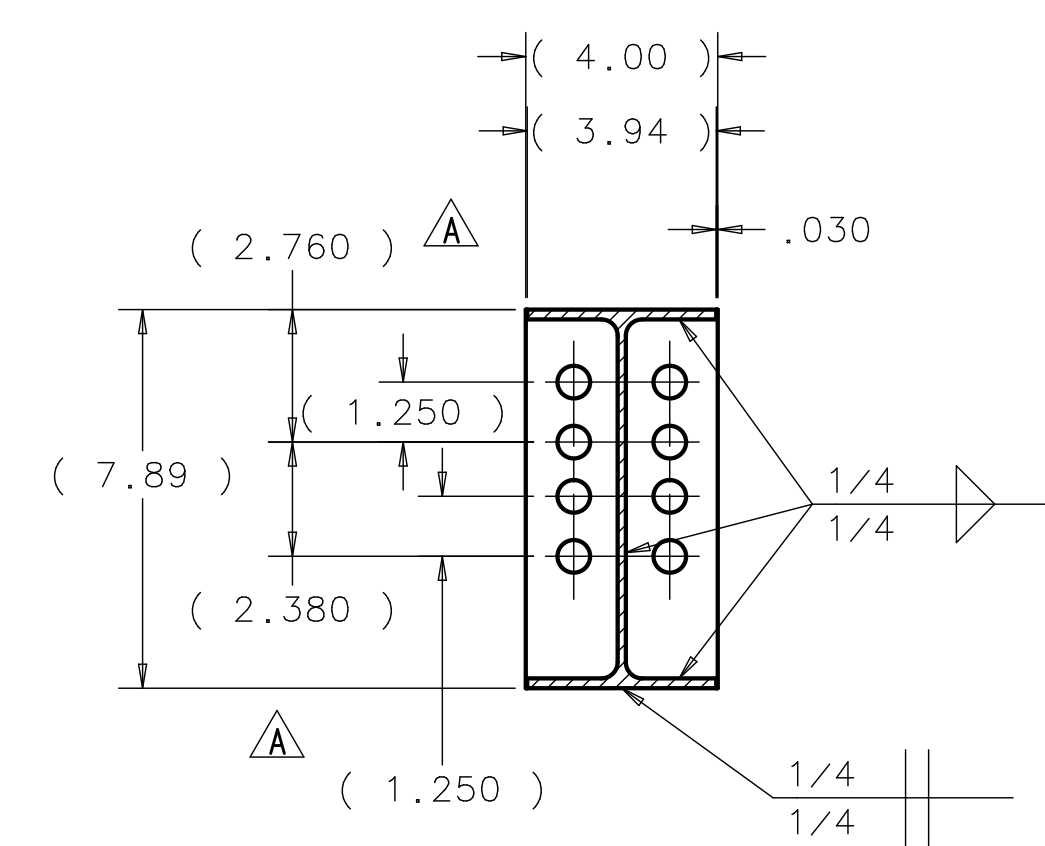
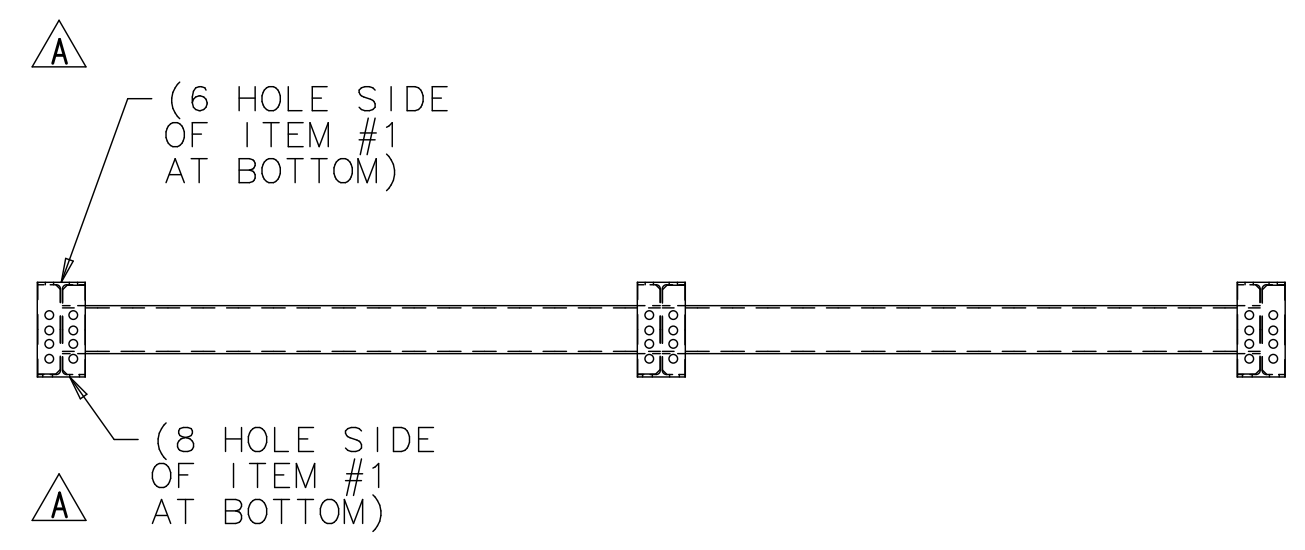
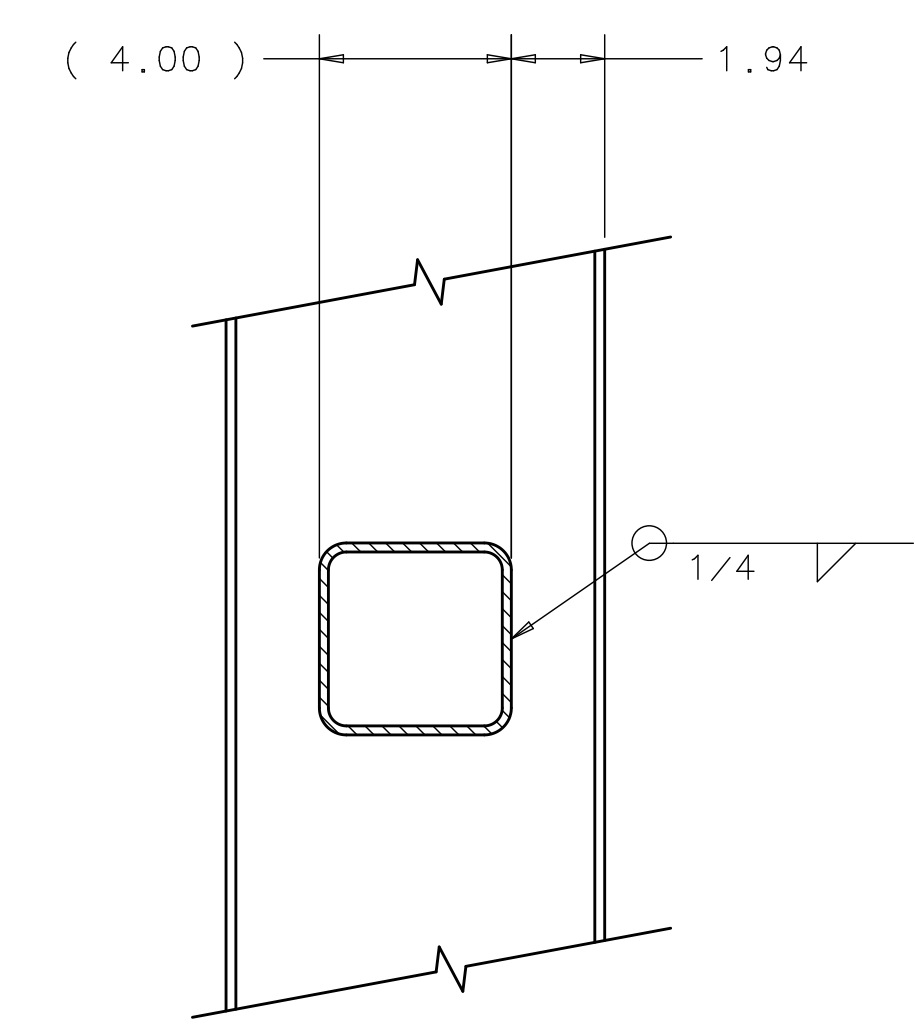
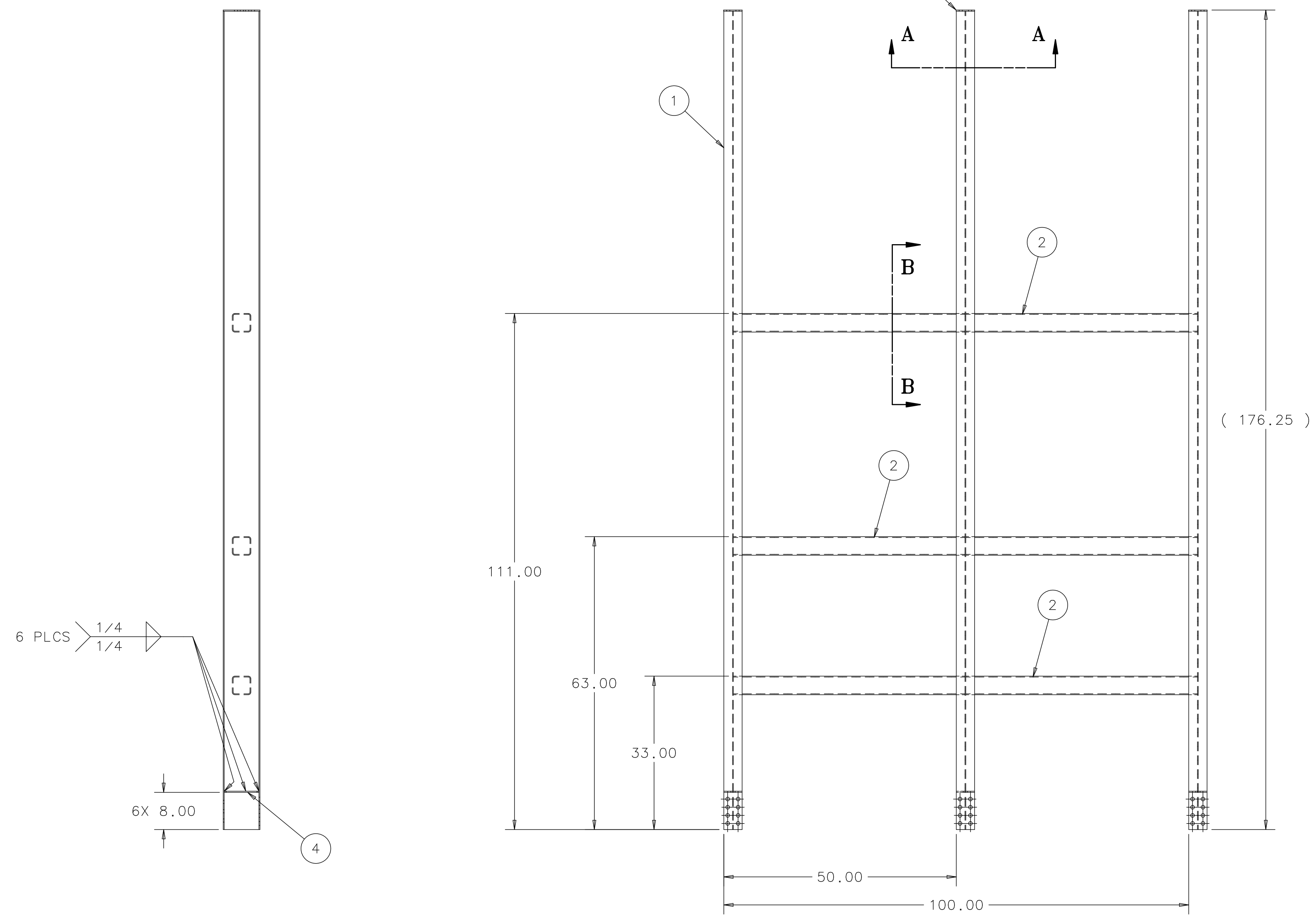


REV	DESCRIPTION	DRAWN	DATE
		APPROVED	DATE
A	UPDATED ITEM #3 TO ITS CURRENT REVISION. ADDED REF NOTES IN TOP VIEW & REF DIMS IN SECTION A-A	D. FRIEND	05-MAR-2010



SECTION A-A
TYP. 3 PLACES
SCALE: 1/4



SECTION B-B
TYP. 12 PLACES
SCALE: 1/4

2. APPROXIMATE WEIGHT OF ASSEMBLY IS 688 LBS.
1. AFTER ALL WELDING IS COMPLETE PAINT ASSEMBLY WITH 1 COAT OF RUST INHIBITOR PRIMER, RED IN COLOR AND 2 COATS OF A HI-GLOSS PAINT, SAFETY BLUE IN COLOR.

NOTES:

ITEM	PART NO.	DESCRIPTION OR SIZE	QTY.
4	MB-444195	BOTTOM SUPPORT STIFFENER	6
3	MB-444506	VERTICAL SUPPORT MOUNTING PLATE	3
2	COML	TUBE STEEL, 4 X 4 X 1/4 X 49.830 LG. ASTM A-36 STEEL	6
1	MC-444196	VERTICAL SUPPORT	3

PARTS LIST			
UNLESS OTHERWISE SPECIFIED	ORIGINATOR	V. GUARINO	18-JUL-2007
.XX	.XXX	ANGLES	D. FRIEND
± .06	± .030	± 1°	G. SMITH
	APPROVED	V. GUARINO	31-JUL-2007
	USED ON	ME-444201	
	MATERIAL	SEE PARTS LIST ABOVE	

Fermi National Accelerator Laboratory
UNITED STATES DEPARTMENT OF ENERGY

NOVA-DETECTOR_PROTOTYPE
IPND LIFTING FIXTURE
VERTICAL SUPPORT WELDMENT

SCALE	DRAWING NUMBER	SHEET	REV
1:16	3929.000-MD-444198	1 OF 1	A

CREATED WITH : Ideas12NXSeries GROUP: PPD/MECHANICAL DEPARTMENT